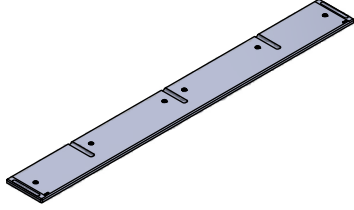
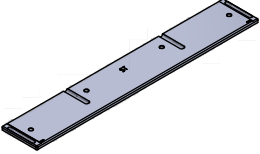
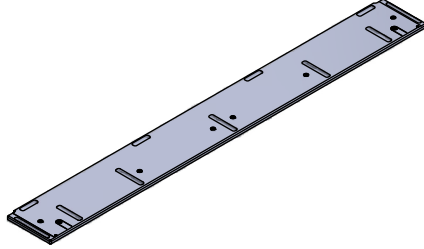
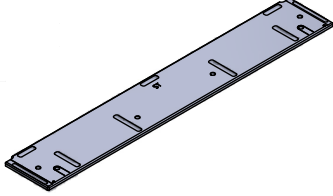
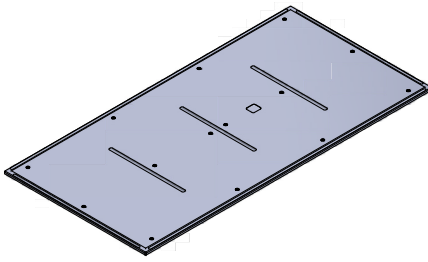
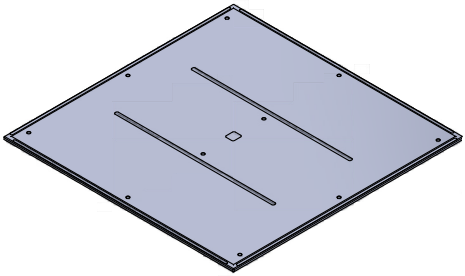
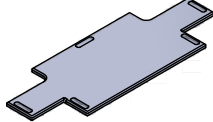
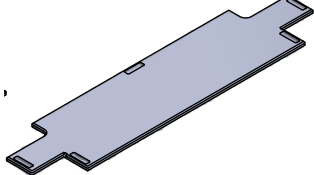
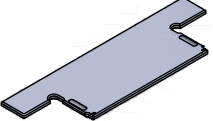
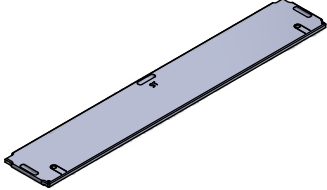
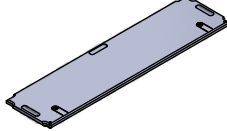
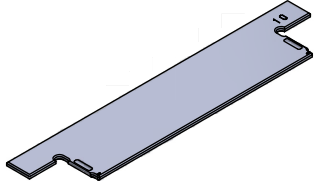


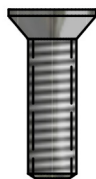
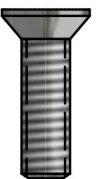


INCLUDED PARTS

Coffee Table	Side Table
	
P1 2x	P1 2x
	
P2 2x	P2 2x
	
P3 1x	P3 1x
	
P4 3x	P4 2x
	
P5 2x	P6 2x
	
P6 2x	P10 2x
	
5 GB 33x	5 GB 26x
	
7/8" 33x	7/8" 26x

*Bolt shown actual size.

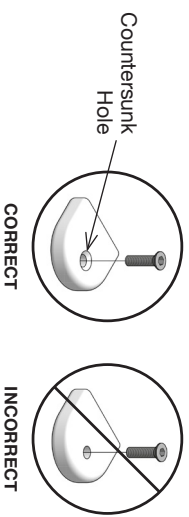
*Bolt shown actual size.

ASSEMBLY TIPS: 5 Important Points You NEED to Read

1. Prior to beginning assembly, please inspect and inventory the parts to make sure you have everything and that nothing was damaged during shipping. If damage has occurred, please take photos and go to lollidesigns.com/damage. Rest assured we'll get it taken care of straight away!
2. To avoid scratching furniture, assemble on a clean, soft surface like a blanket, carpet, or the flattened cardboard box the furniture was shipped in.
3. **Start all bolts by hand to ensure proper alignment and to prevent cross threading.** Then using the provided tool, tighten until you feel resistance. Do not overtighten.
4. Bolts should not be forced, but some components, particularly blocks, fit snug but can still be installed without tools or excess force.
5. If parts are still not going together, please send us a photo of the part you are having trouble with.

BLOCK & BOLT INSTALLATION

Insert bolts through countersunk hole side of blocks as shown below.



"Loll Designs inspires people to appreciate the outdoors."

Greg Benson - Founder

♻️ RECYCLE THE PACKAGING

We've gone through great lengths to make as much of our packaging as possible recyclable. The cardboard box, paper wrap, filler and paper bags can all go in your recycling bin. The muslin hardware bags replaced plastic bags with the intention of reducing plastic and encouraging reuse. Loll Designs and Planet Earth thank you!

WE WANT YOU TO LOVE YOUR LOLL

For more info and visual aids, watch the assembly videos at www.lollidesigns.com/videos. For product care & maintenance, visit www.lollidesigns.com/care-maintenance. For further lollygagging assistance, please reach out!

+1 877-740-3387
sales@lollidesigns.com

5912 Waseca Street
Duluth, Minnesota 55807

ASSEMBLY INSTRUCTIONS & PRODUCT INFO:

PLATFORM ONE COFFEE & SIDE TABLE



MADE IN THE USA



100% ORIGINAL Member

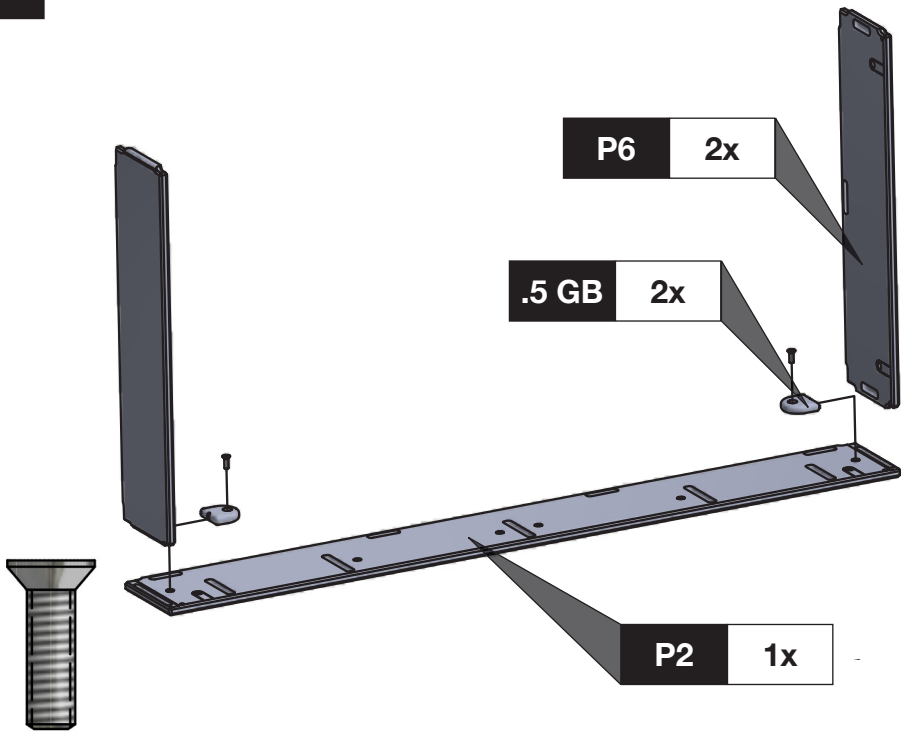


it's good to be recycled

LOLL
DESIGNS

1

* Coffee Table displayed in instruction images.



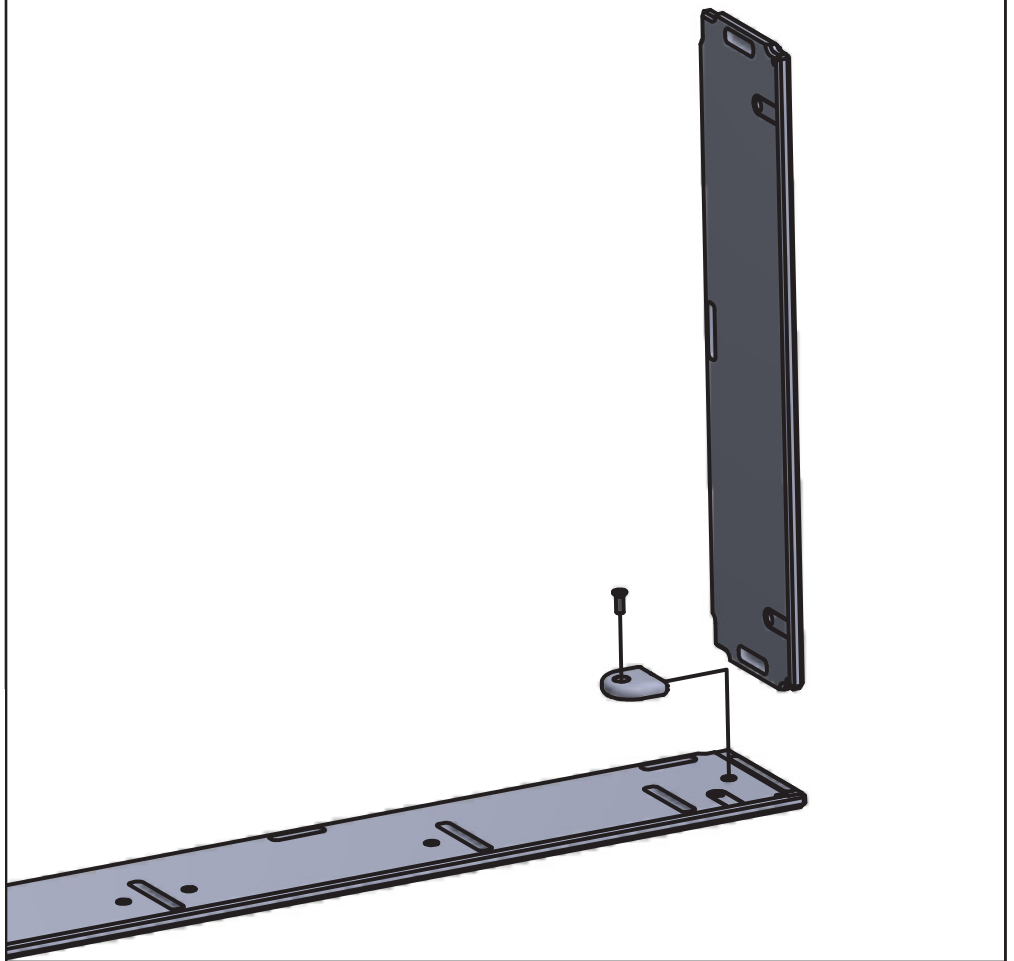
P6 2x

.5 GB 2x

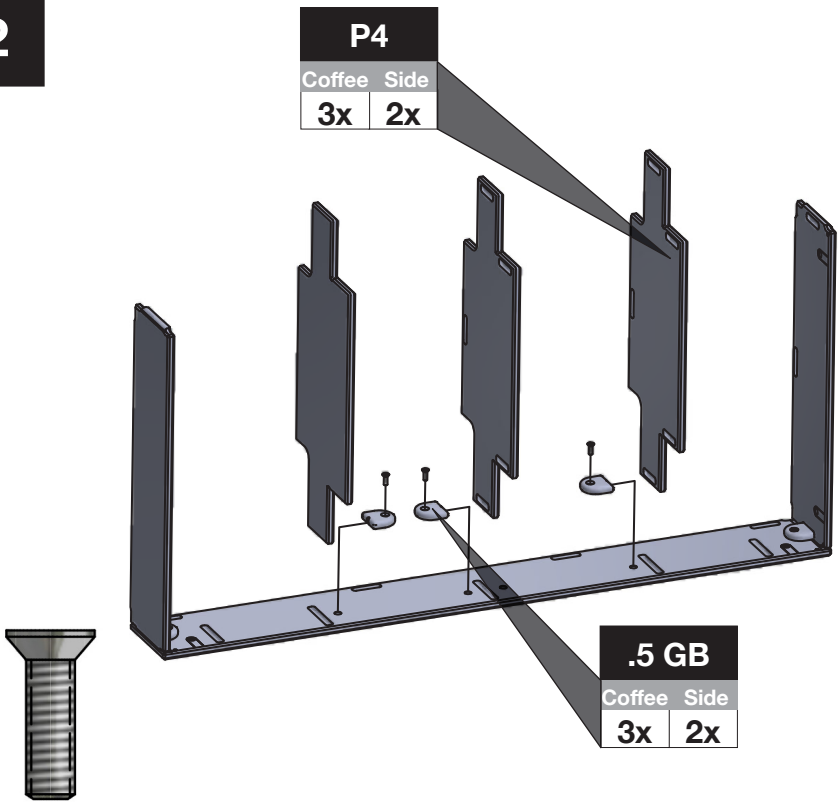
P2 1x

7/8"

Coffee	Side
2x	2x



2

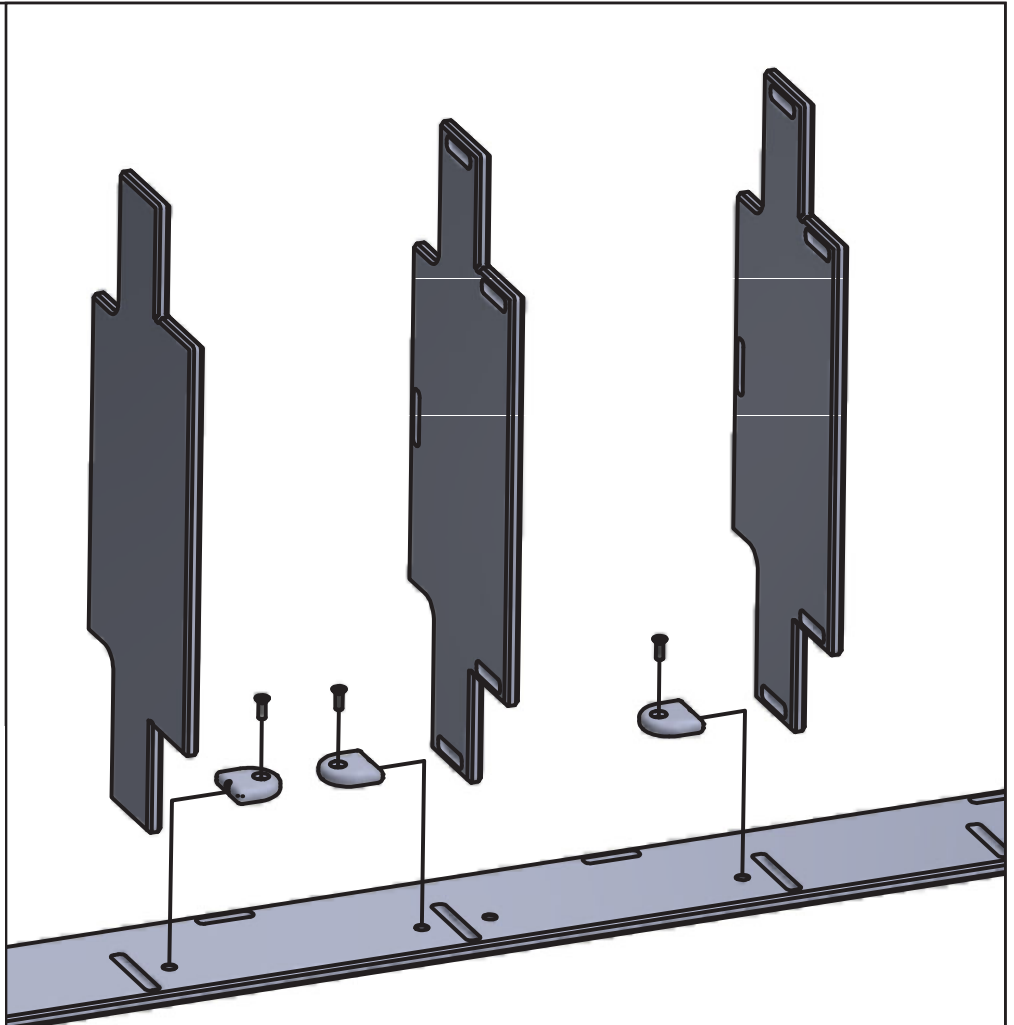


P4	Coffee	Side
	3x	2x

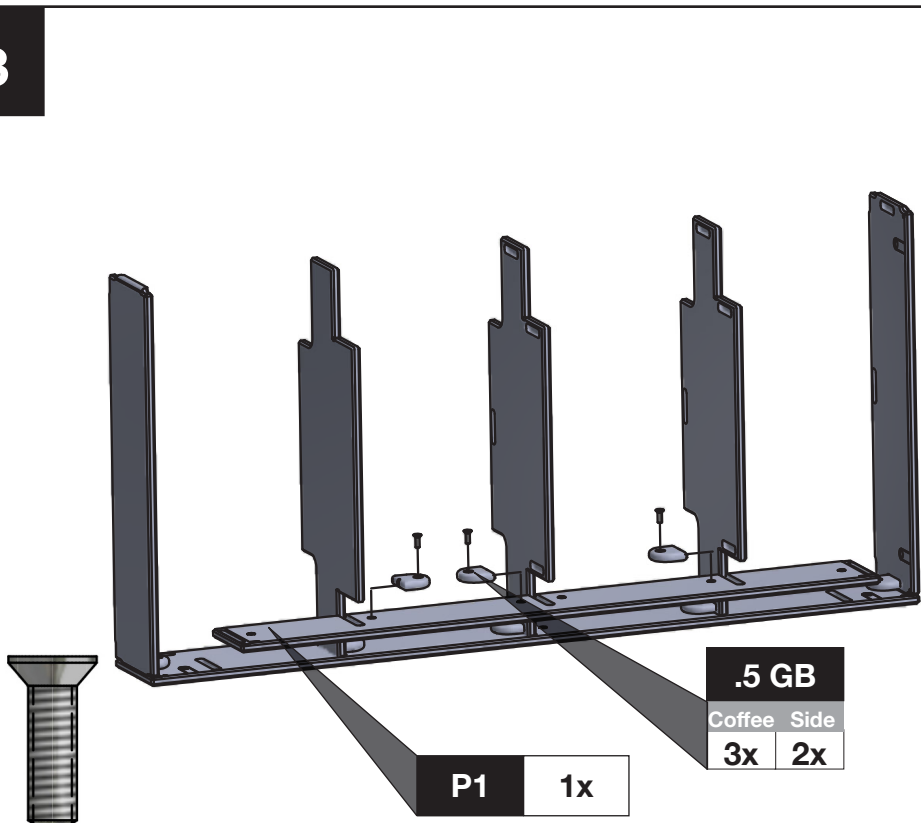
.5 GB	Coffee	Side
	3x	2x

7/8"

Coffee	Side
3x	2x



3

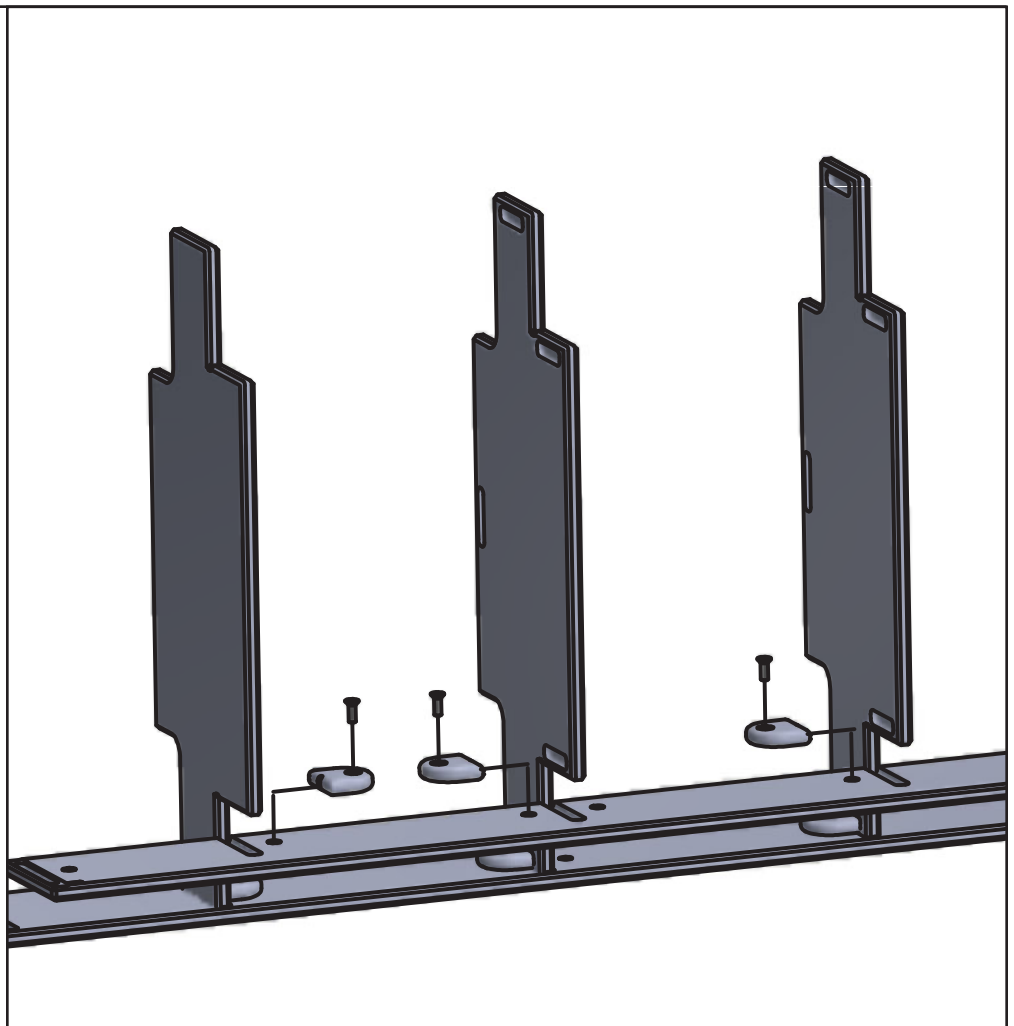


P1 1x

.5 GB	Coffee	Side
	3x	2x

7/8"

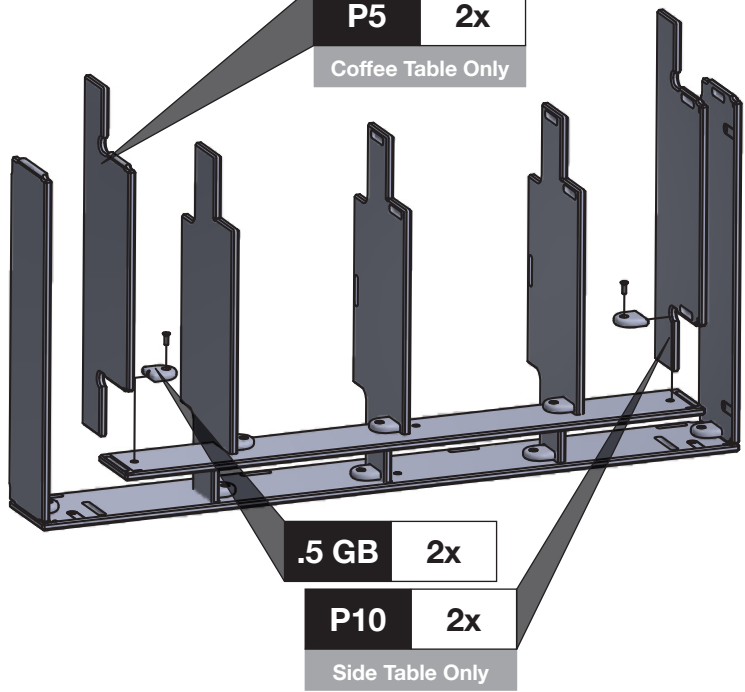
Coffee	Side
3x	2x



4

P5 2x

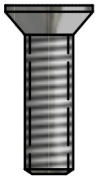
Coffee Table Only



.5 GB 2x

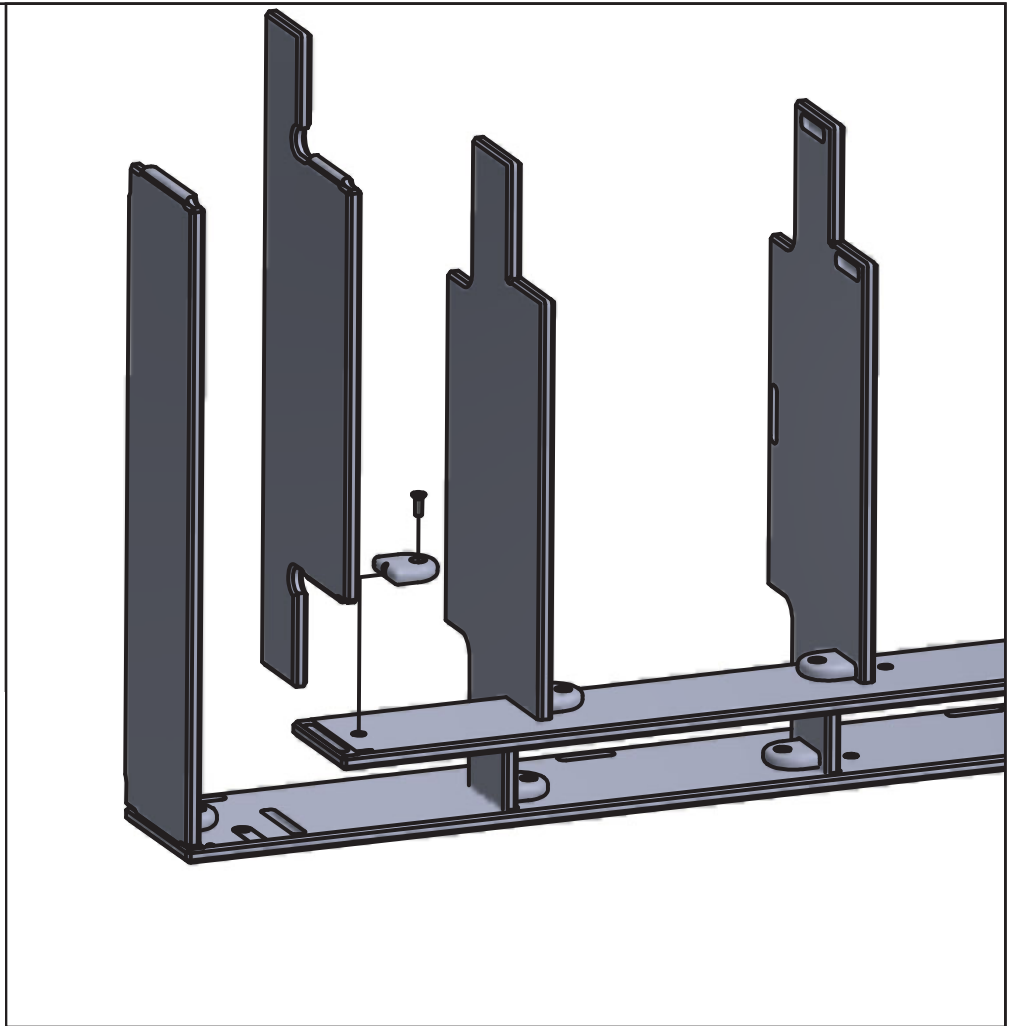
P10 2x

Side Table Only



7/8"

Coffee	Side
2x	2x

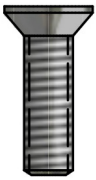
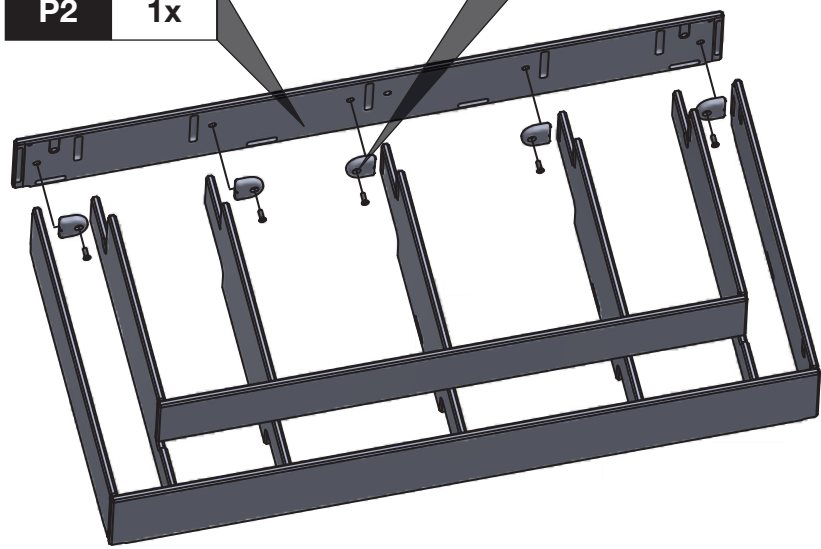


5

P2 1x

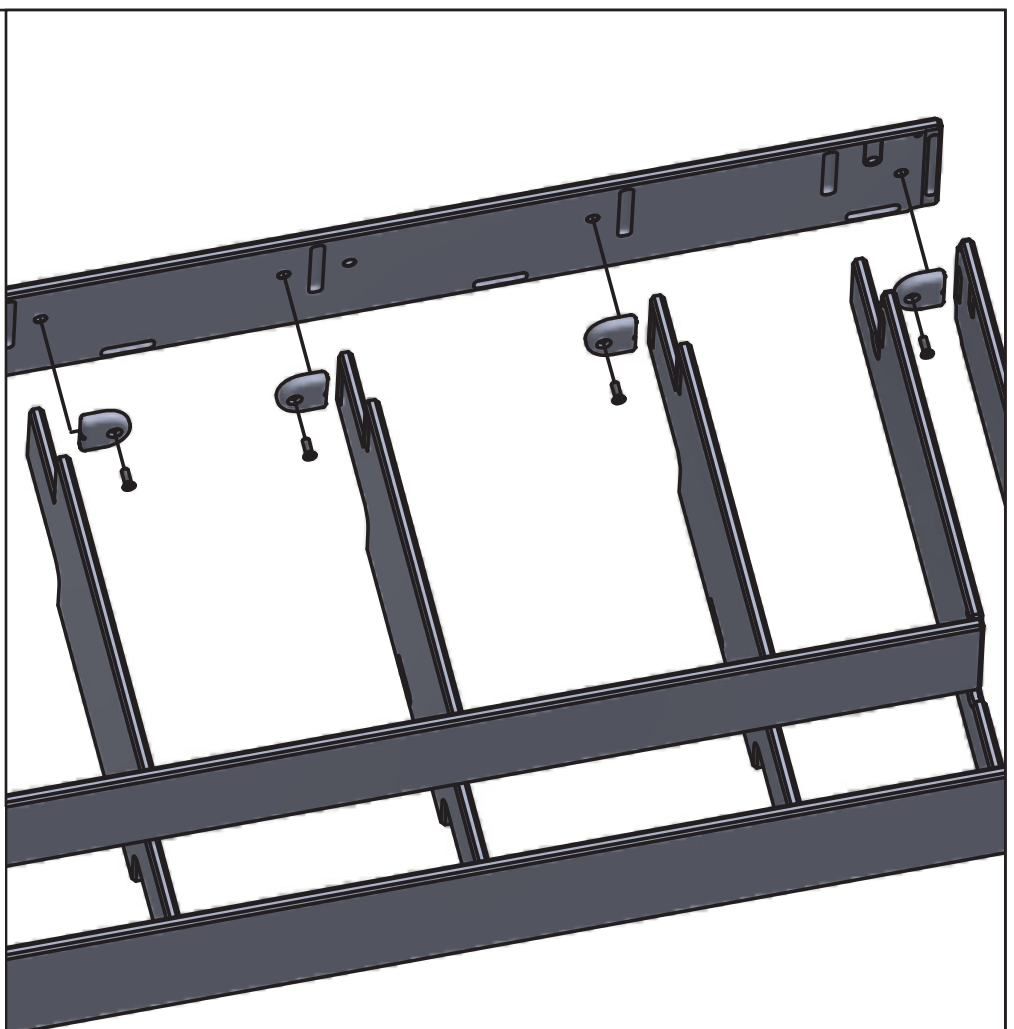
.5 GB

Coffee	Side
5x	4x



7/8"

Coffee	Side
5x	4x

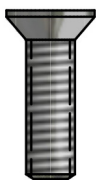
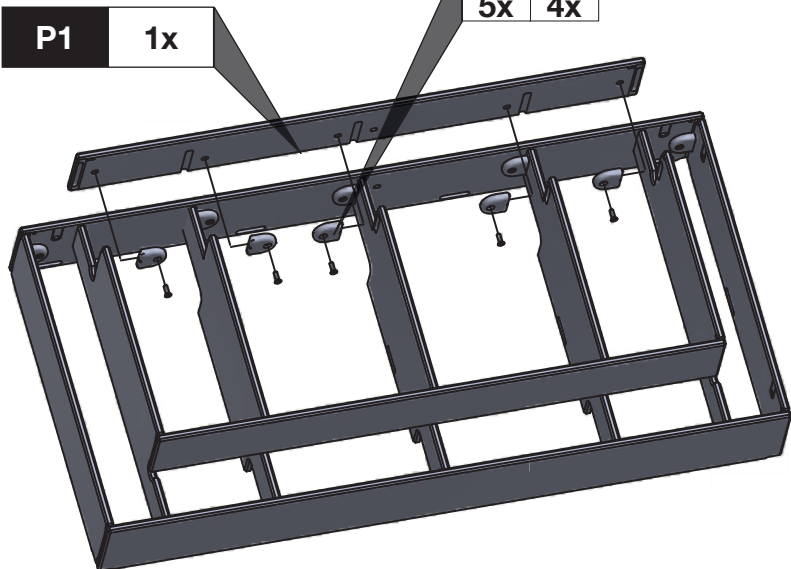


6

P1 1x

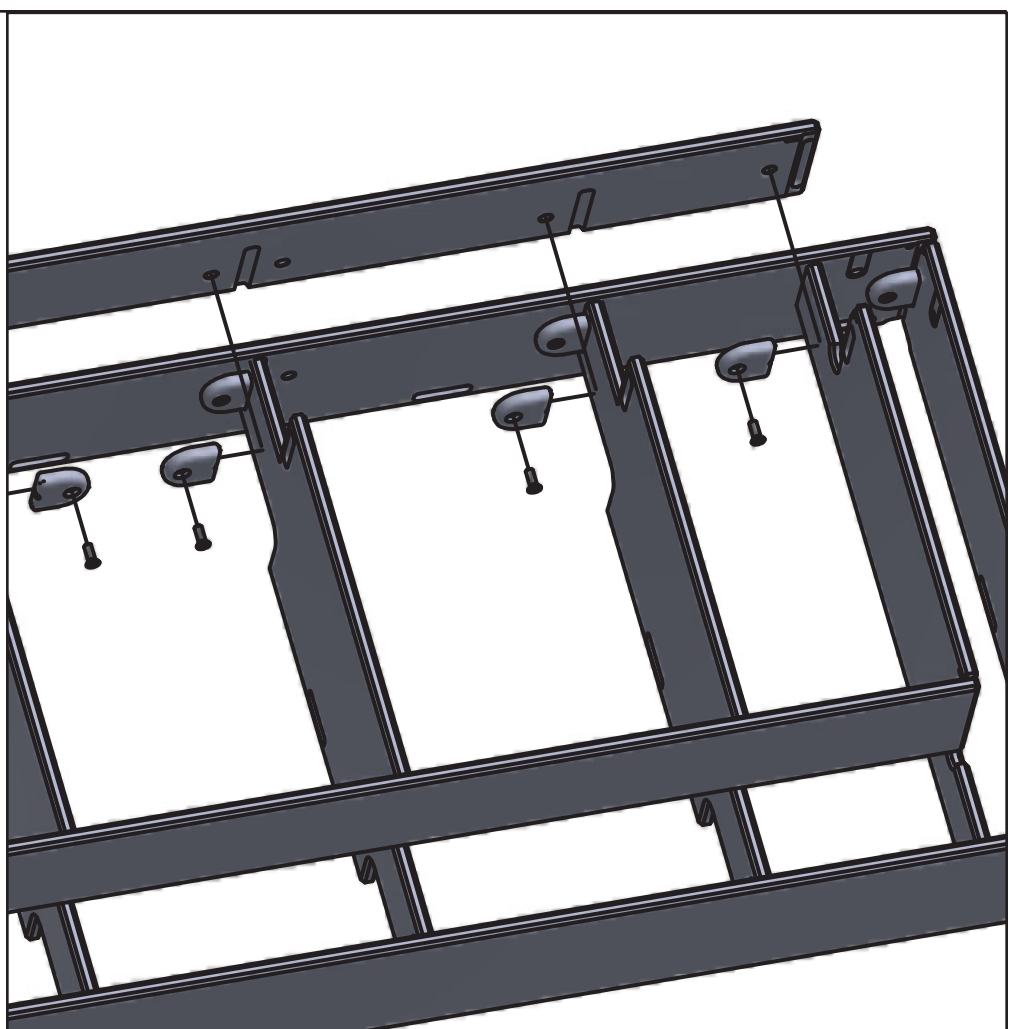
.5 GB

Coffee	Side
5x	4x

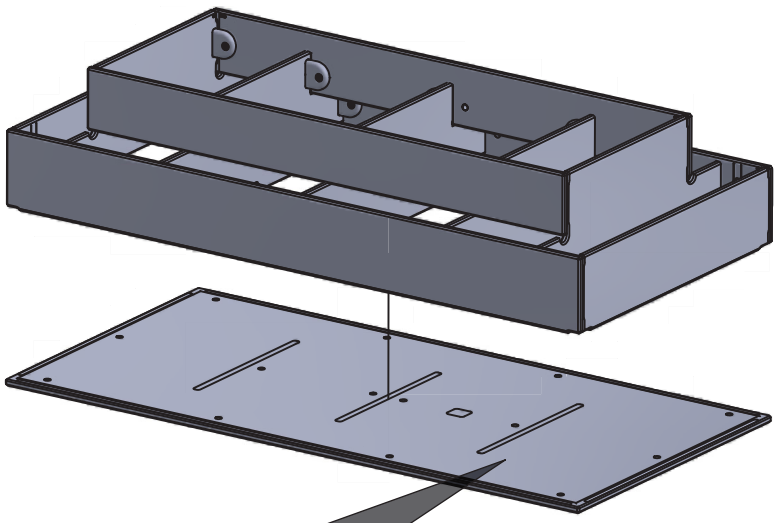


7/8"

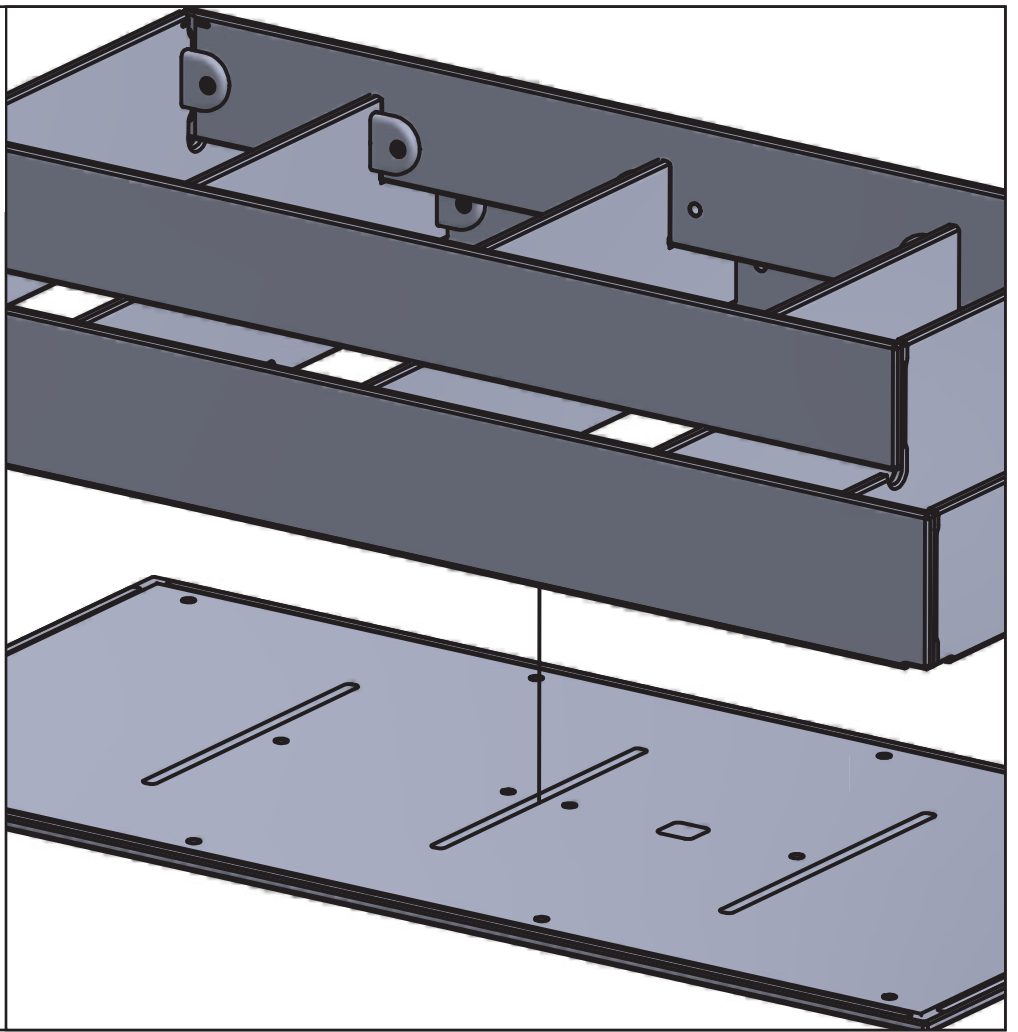
Coffee	Side
5x	4x



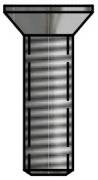
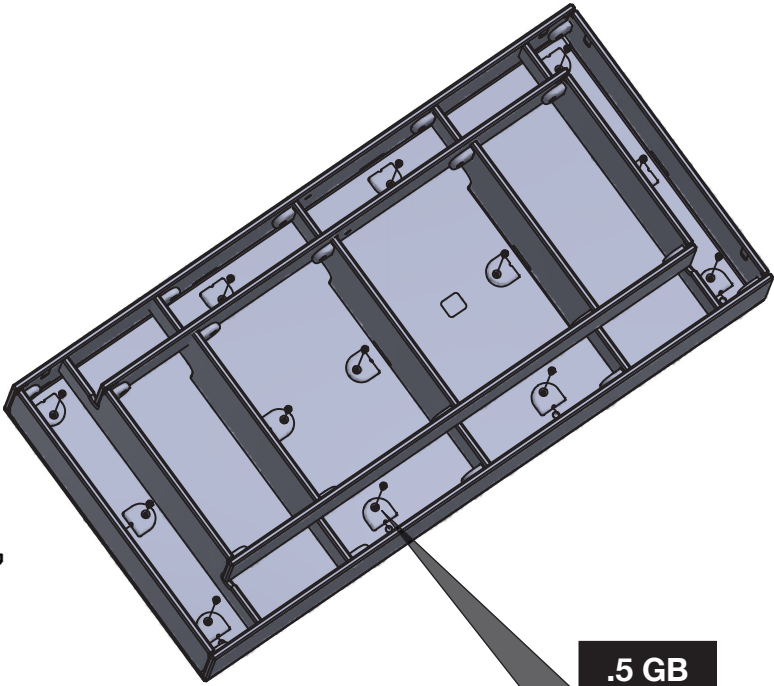
7



P3	1x
-----------	-----------



8



.5 GB	
Coffee	Side
13x	10x

7/8"	
Coffee	Side
13x	10x

