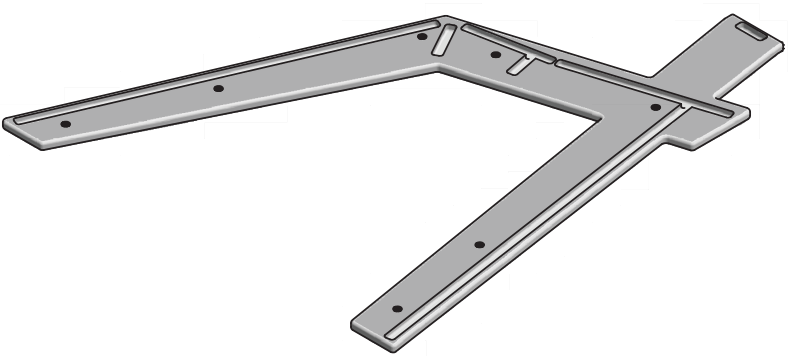
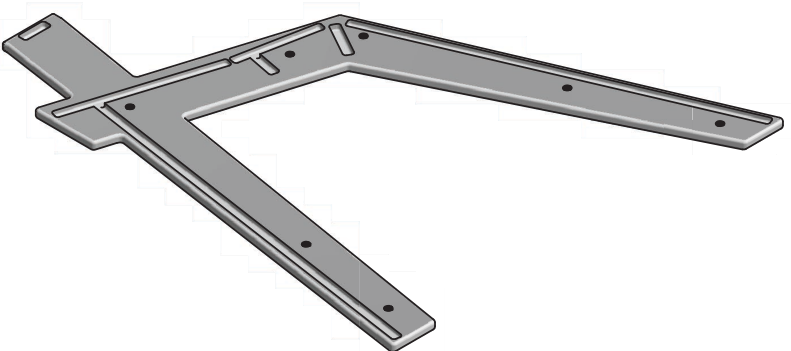


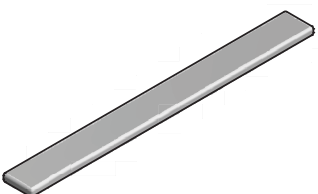
INCLUDED PARTS



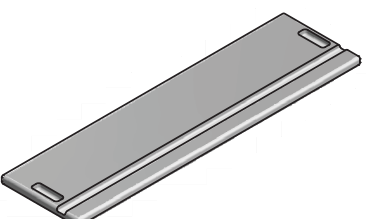
P1L
1x



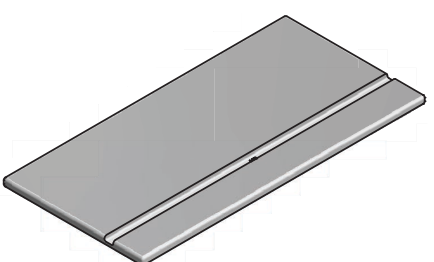
P1R
1x



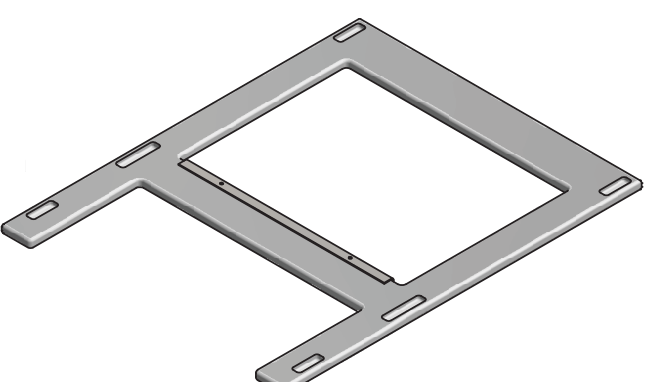
P2
1x



P3
1x



P4
1x



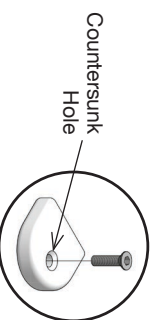
P5
1x

ASSEMBLY TIPS: 5 Important Points You **NEED** to Read

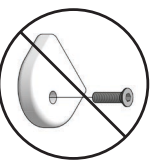
1. Prior to beginning assembly, please inspect and inventory the parts to make sure you have everything and that nothing was damaged during shipping. If damage has occurred, please take photos and go to lollidesigns.com/damage. Rest assured we'll get it taken care of straight away!
2. To avoid scratching furniture, assemble on a clean, soft surface like a blanket, carpet, or the flattened cardboard box the furniture was shipped in.
3. **Start all bolts by hand to ensure proper alignment and to prevent cross threading.** Then using the provided tool, tighten until you feel resistance. Do not overtighten.
4. Bolts should not be forced, but some components, particularly blocks, fit snug but can still be installed without tools or excess force.
5. If parts are still not going together, please send us a photo of the part you are having trouble with.

BLOCK & BOLT INSTALLATION

Insert bolts through countersunk hole side of blocks as shown below.



CORRECT



INCORRECT

"Loll Designs inspires people to appreciate the outdoors."

Greg Benson - Founder

♻️ RECYCLE THE PACKAGING

We've gone through great lengths to make as much of our packaging as possible recyclable. The cardboard box, paper wrap, filler and paper bags can all go in your recycling bin. The muslin hardware bags replaced plastic bags with the intention of reducing plastic and encouraging reuse. Loll Designs and Planet Earth thank you!

WE WANT YOU TO LOVE YOUR LOLL

For more info and visual aids, watch the assembly videos at www.lollidesigns.com/videos. For product care & maintenance, visit www.lollidesigns.com/care-maintenance. For further lollygagging assistance, please reach out!

+1 877-740-3387

sales@lollidesigns.com

5912 Waseca Street
Duluth, Minnesota 55807

ASSEMBLY INSTRUCTIONS & PRODUCT INFO:

HI-RISE CHAIR

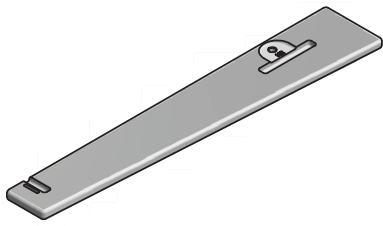


MADE IN THE USA

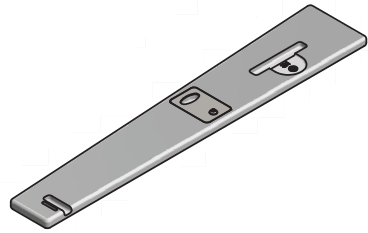


lo|l
DESIGNS

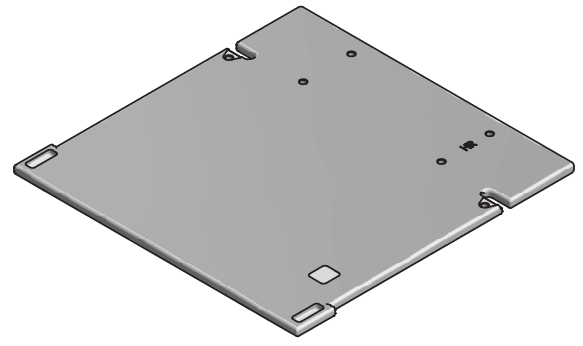
INCLUDED PARTS CONTINUED



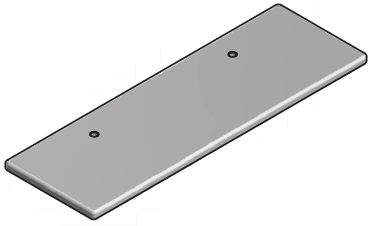
P6L
1x



P6R
1x



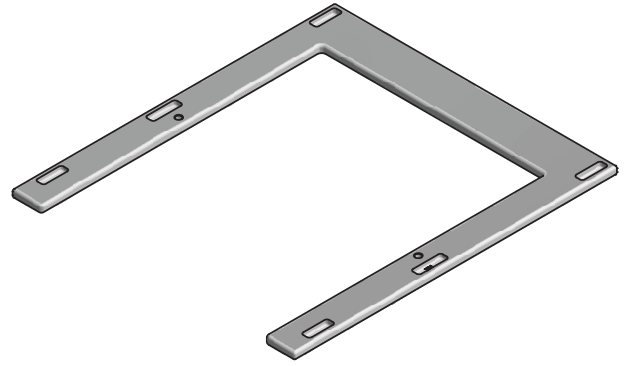
P7
1x



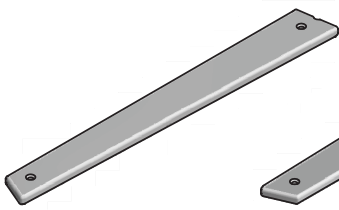
P8
1x



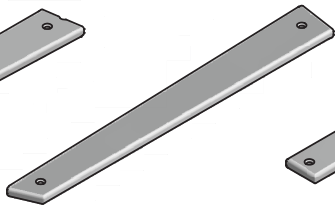
P9
2x



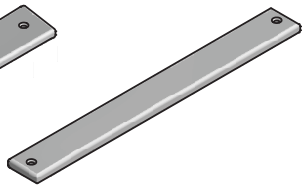
P10
1x



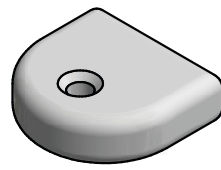
P11L
1x



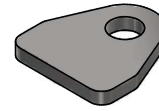
P11R
1x



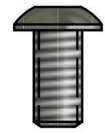
P12
1x



GB
12x



MICRO
2x



1/2"
2x



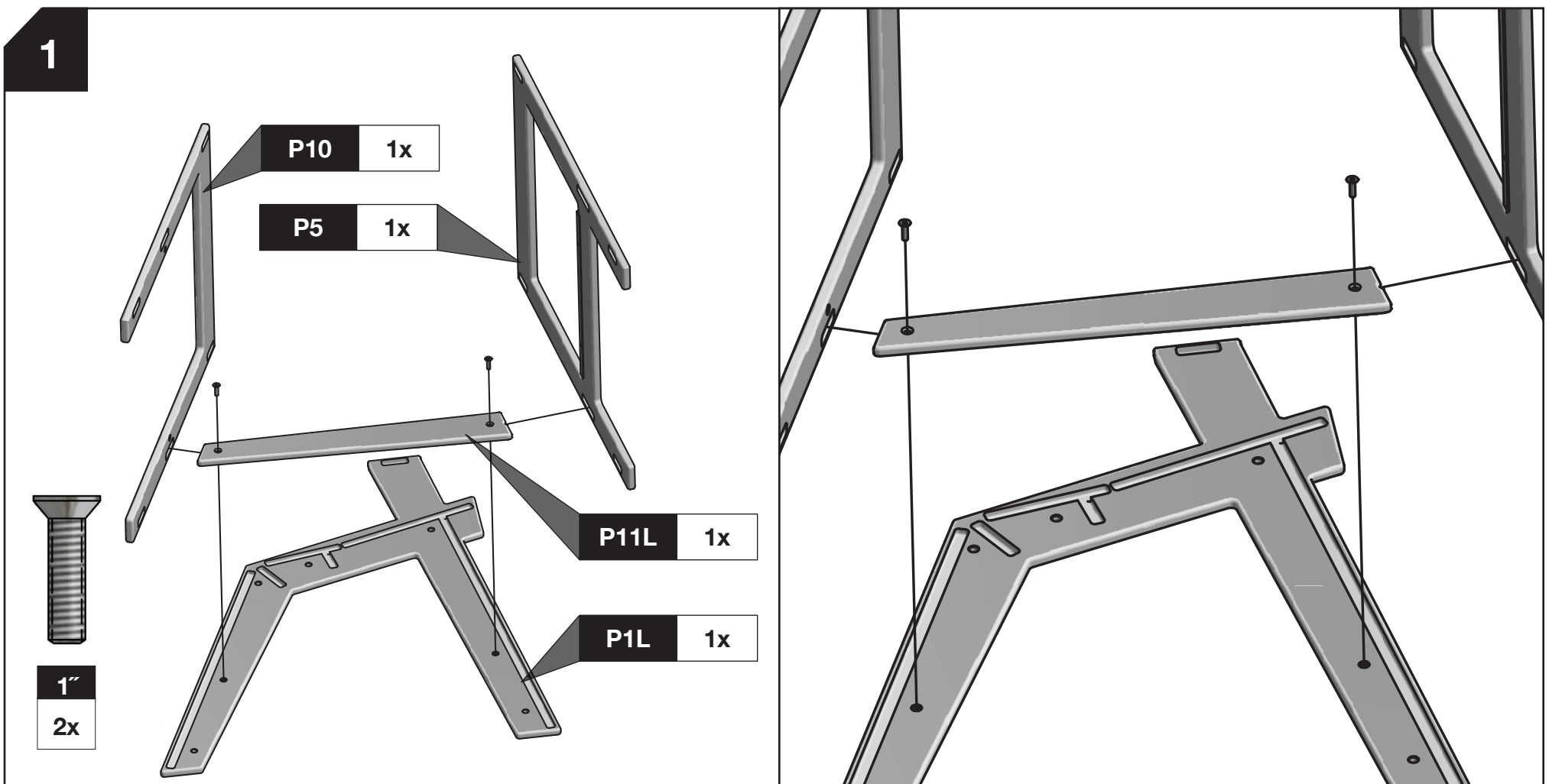
1"
18x



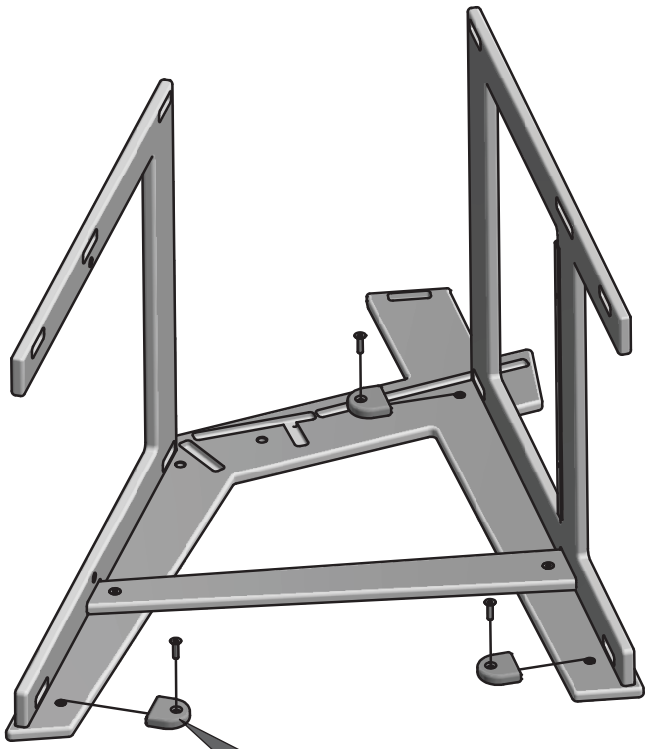
1"
6x

*Bolt shown actual size.

*Note: If purchased with Bridge Kit, please open Bridge Kit box and use those instructions.



2

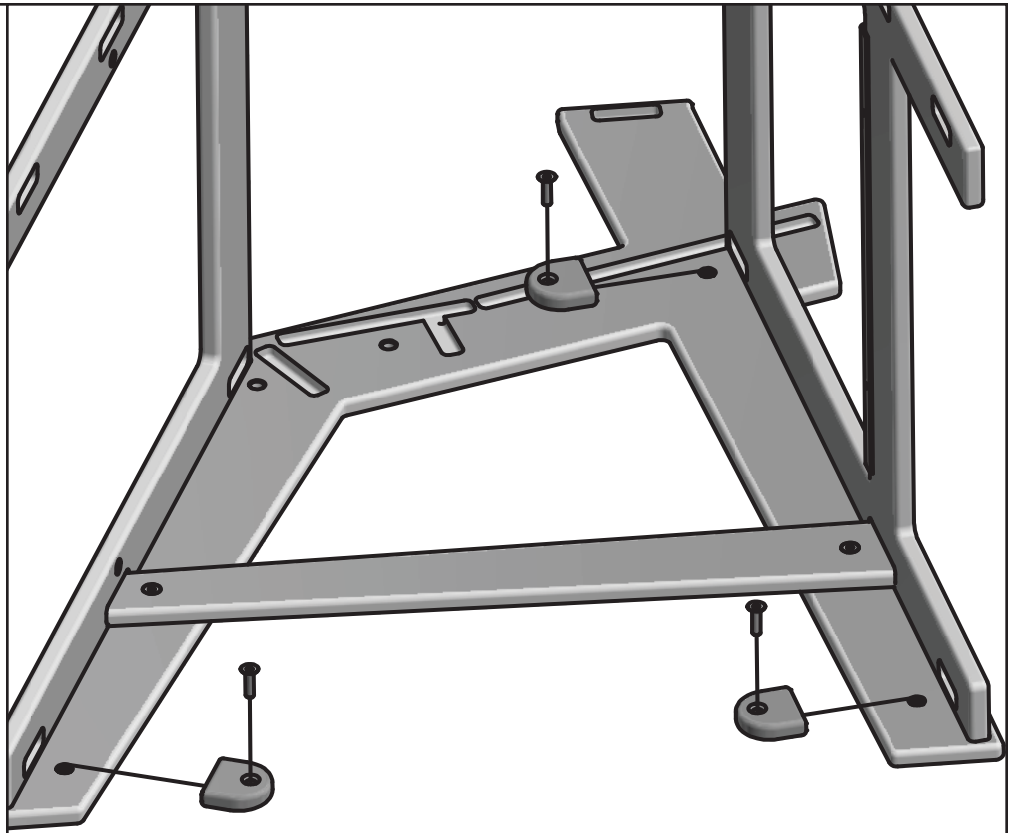


1"

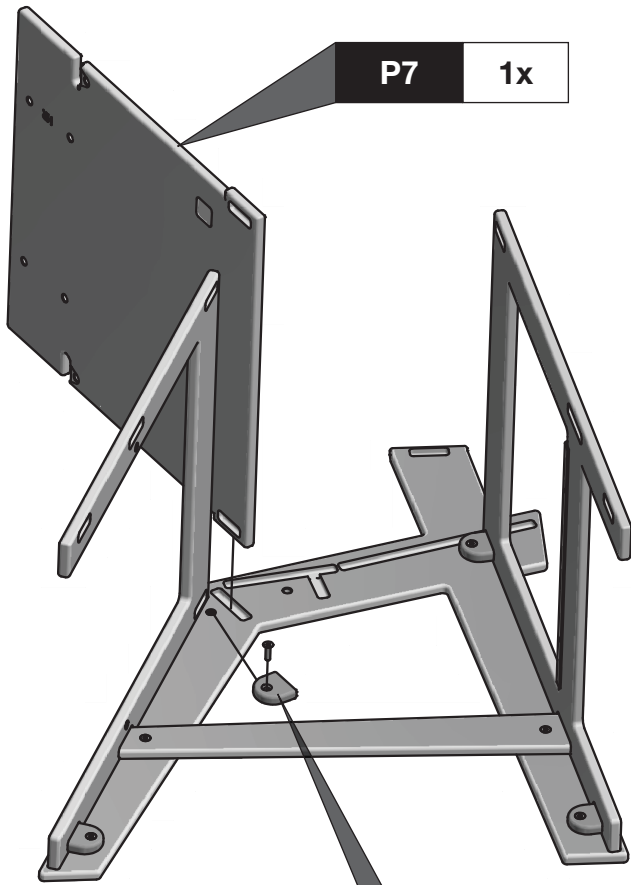
3x

GB

3x



3



P7

1x

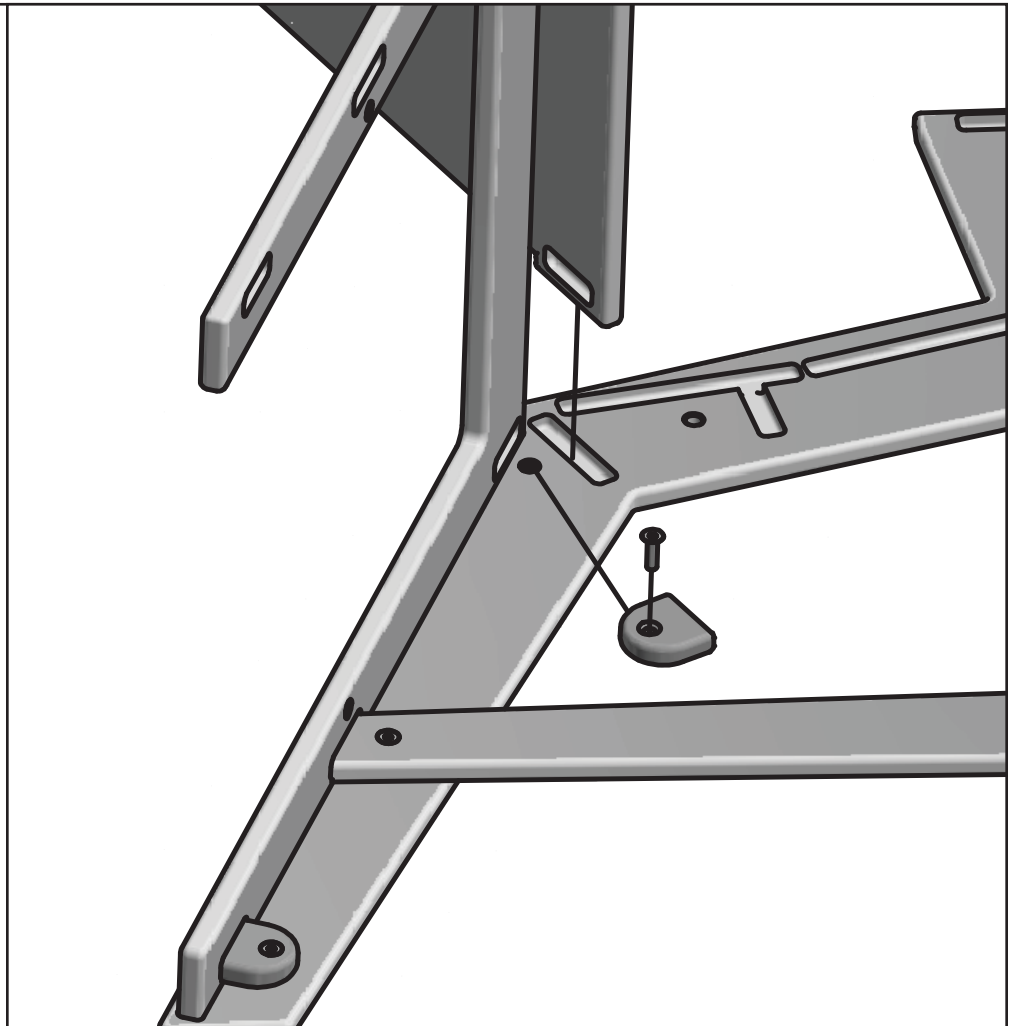


1"

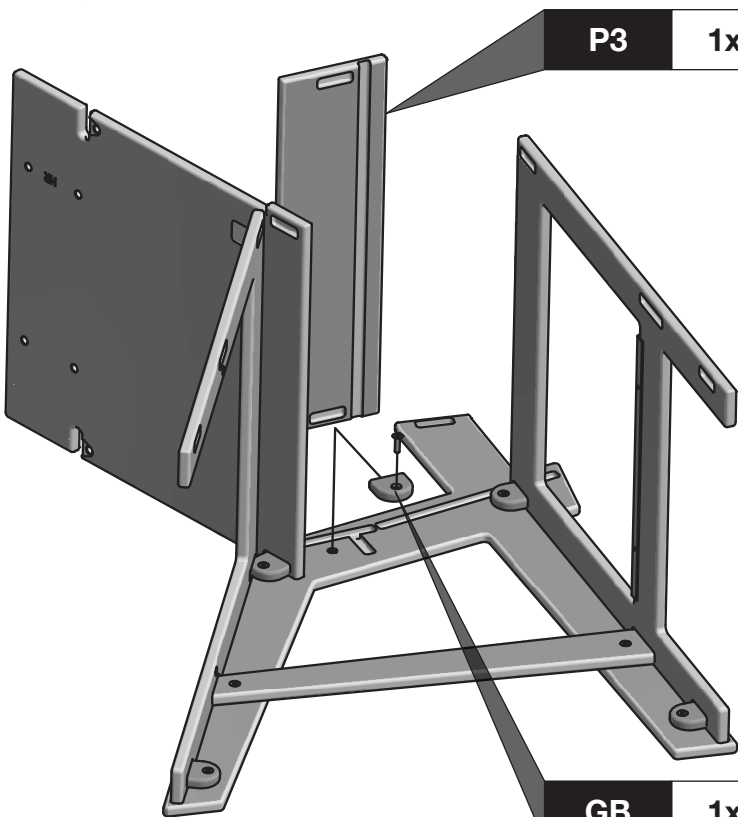
1x

GB

1x

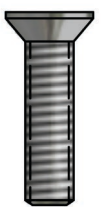


4



P3

1x

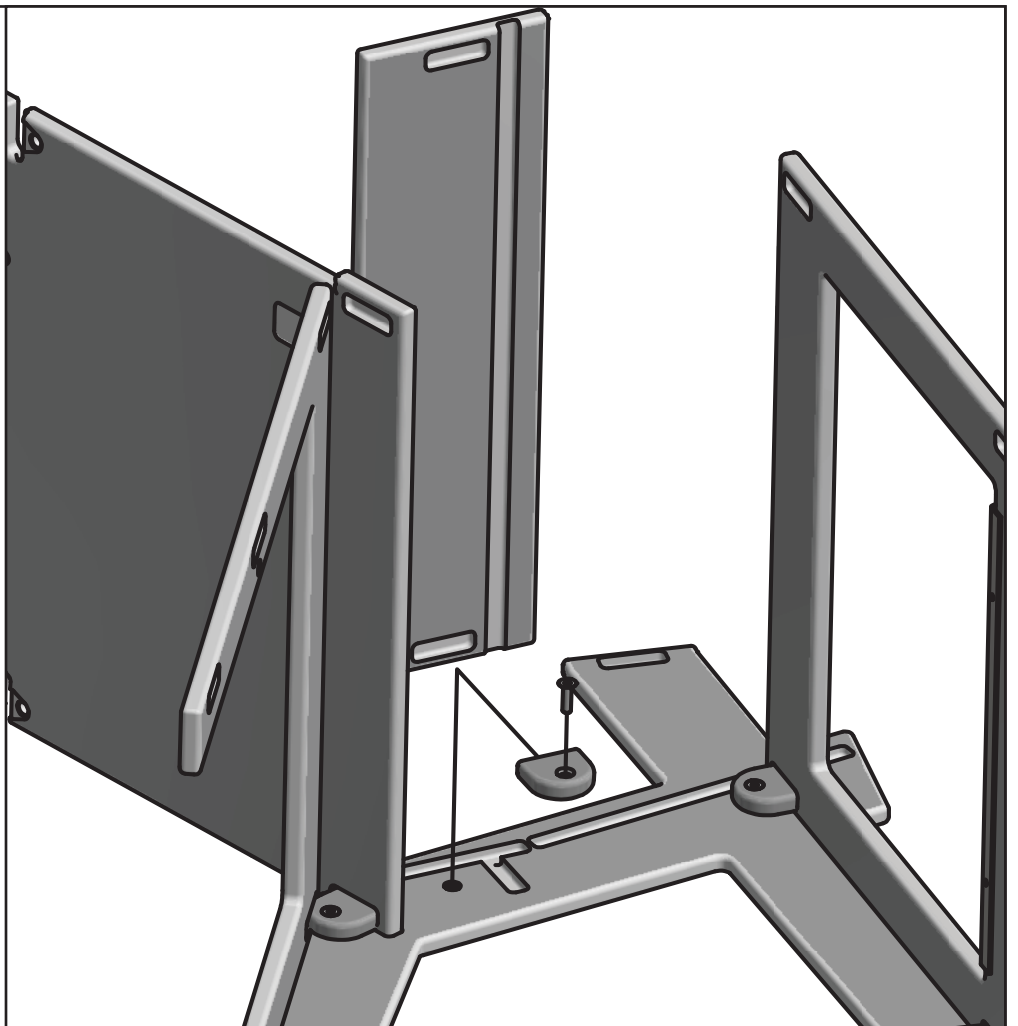


1"

1x

GB

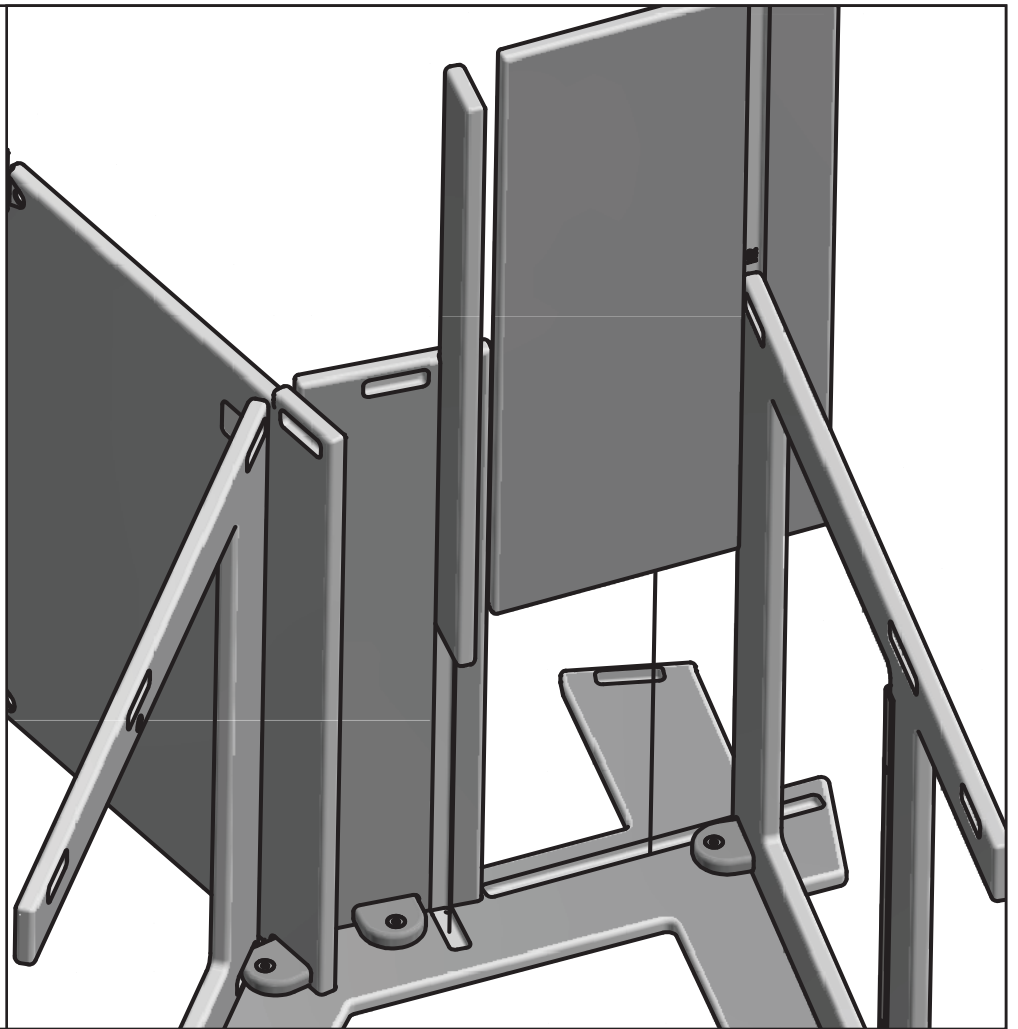
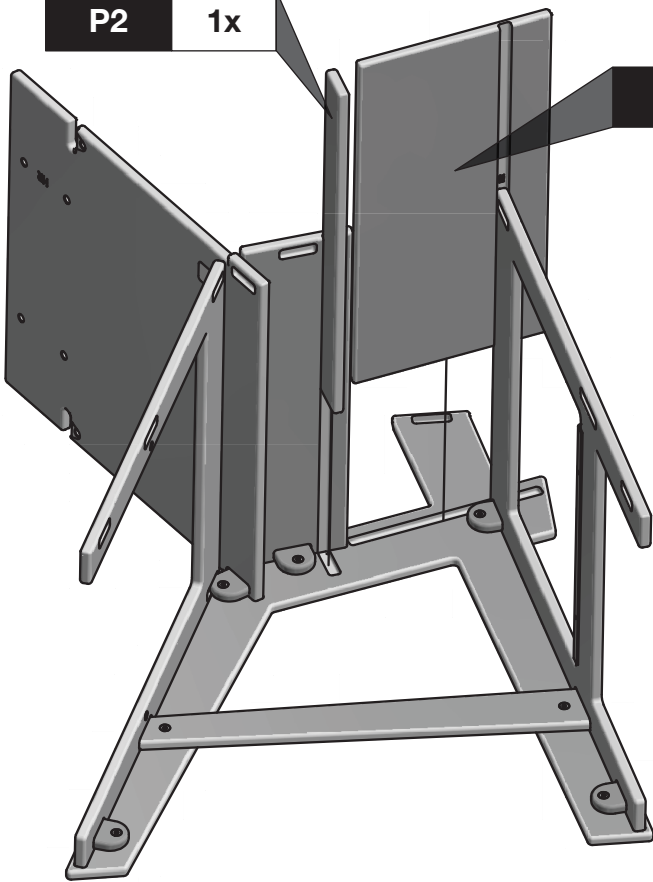
1x



5

P2 1x

P4 1x



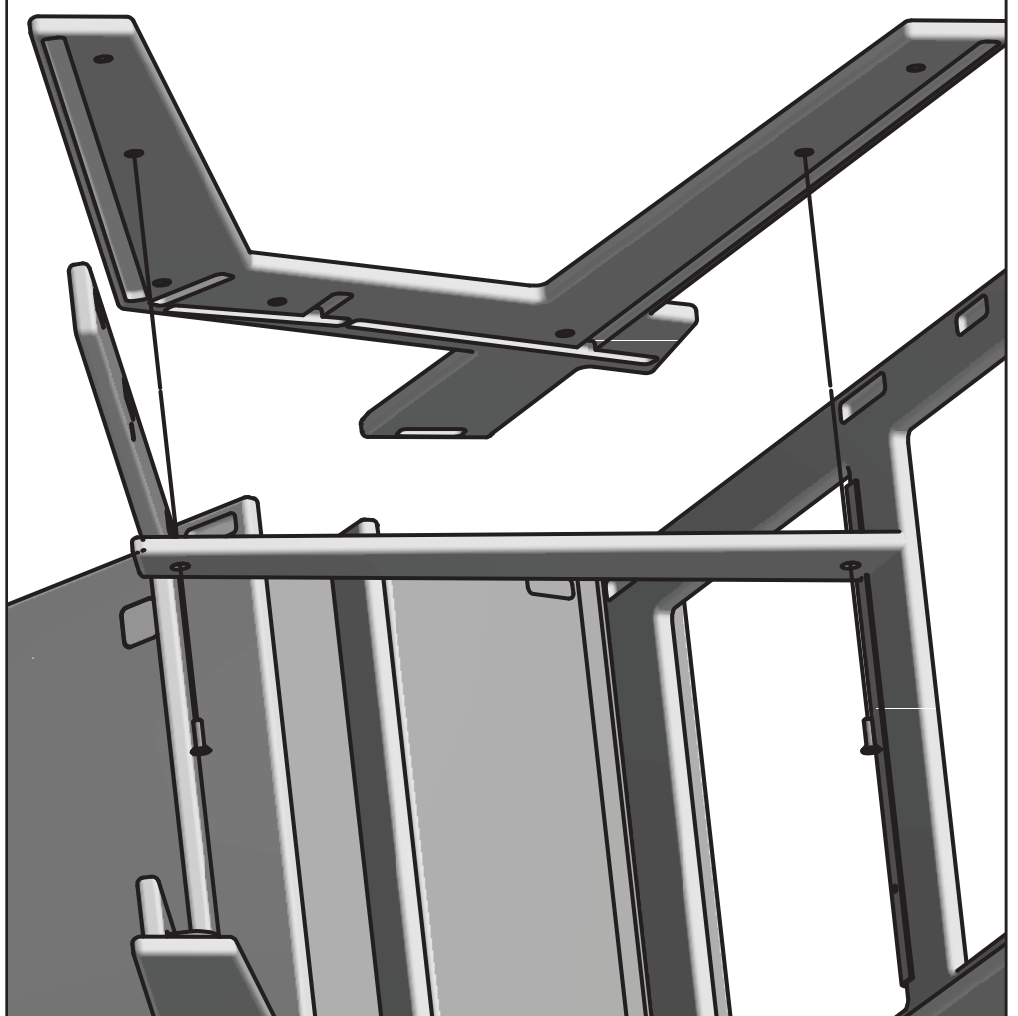
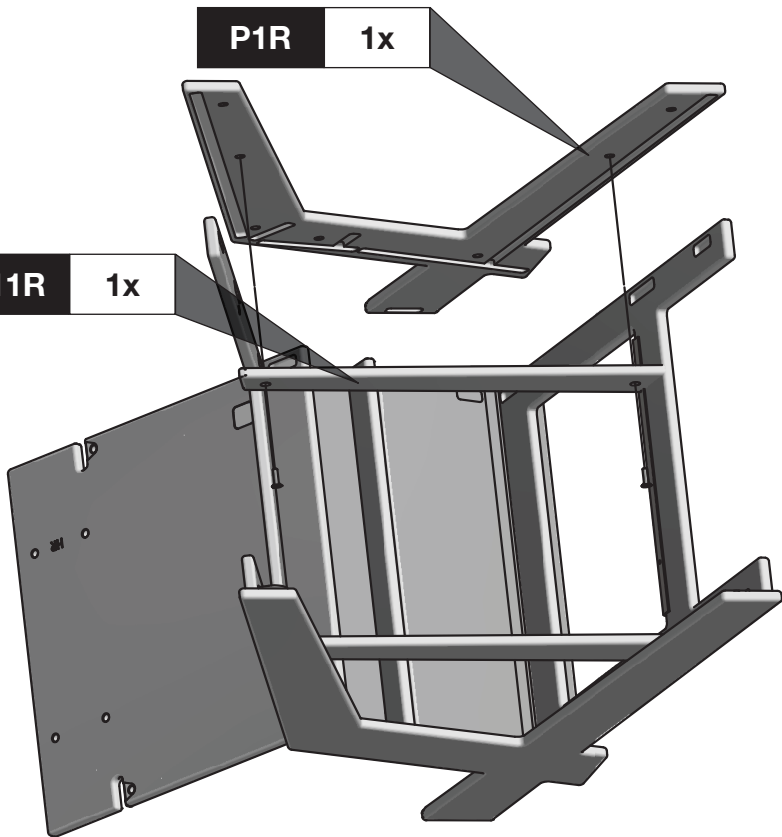
6

P1R 1x

P11R 1x



1"
2x

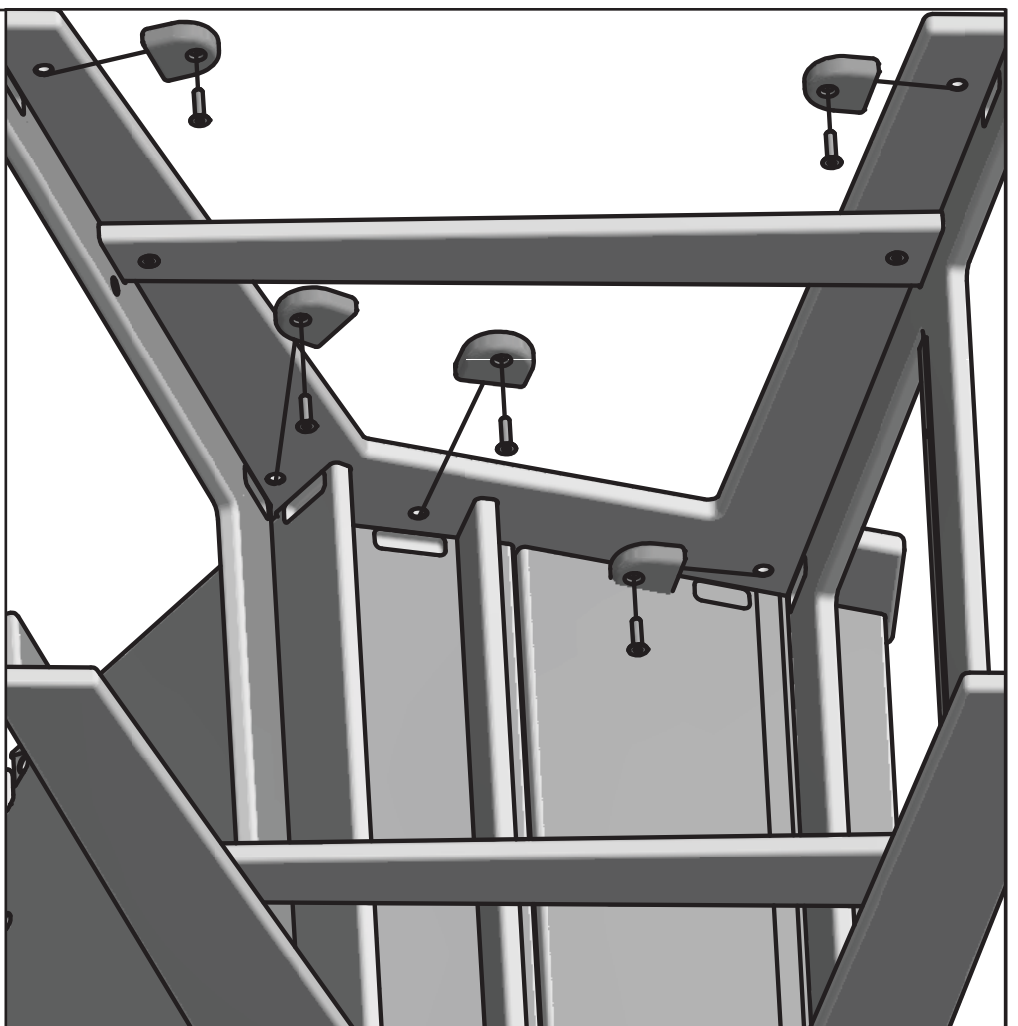
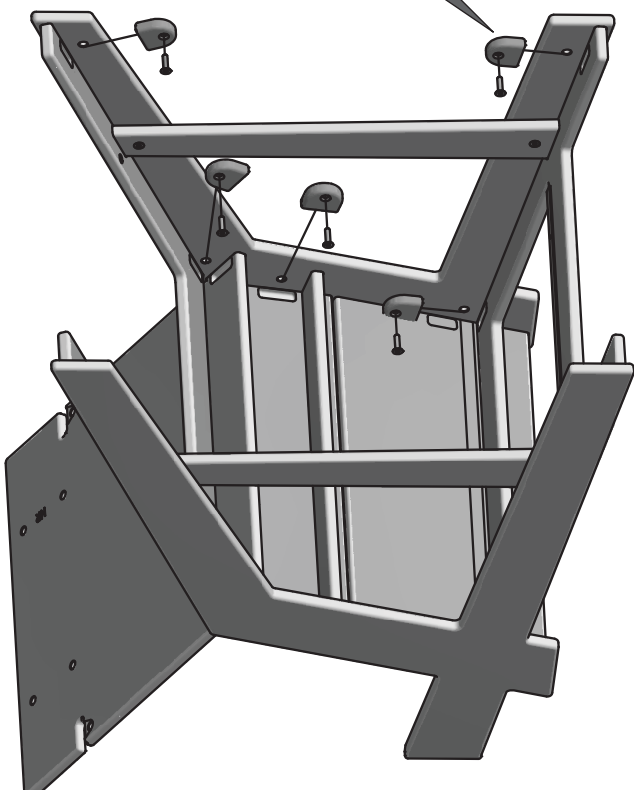


7

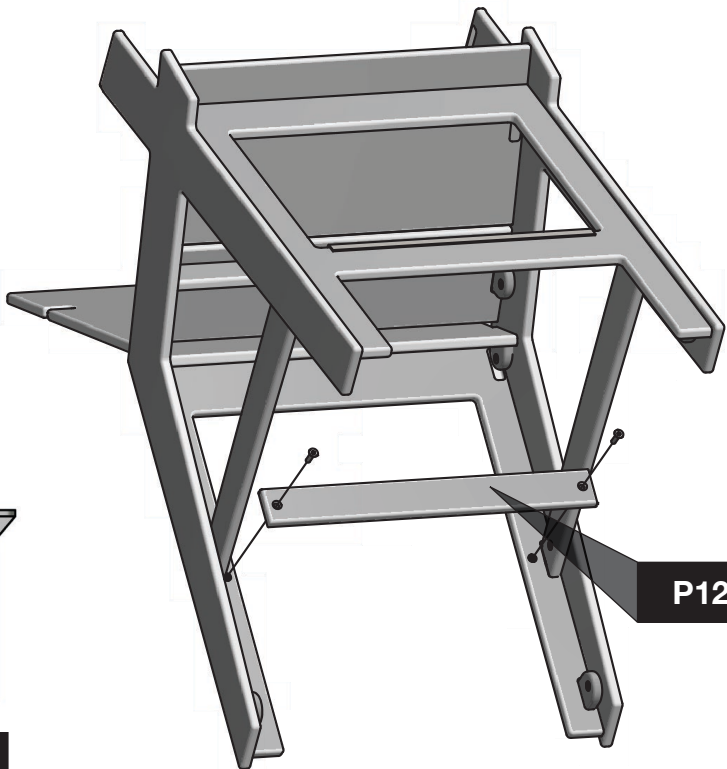
GB 5x



1"
5x



8

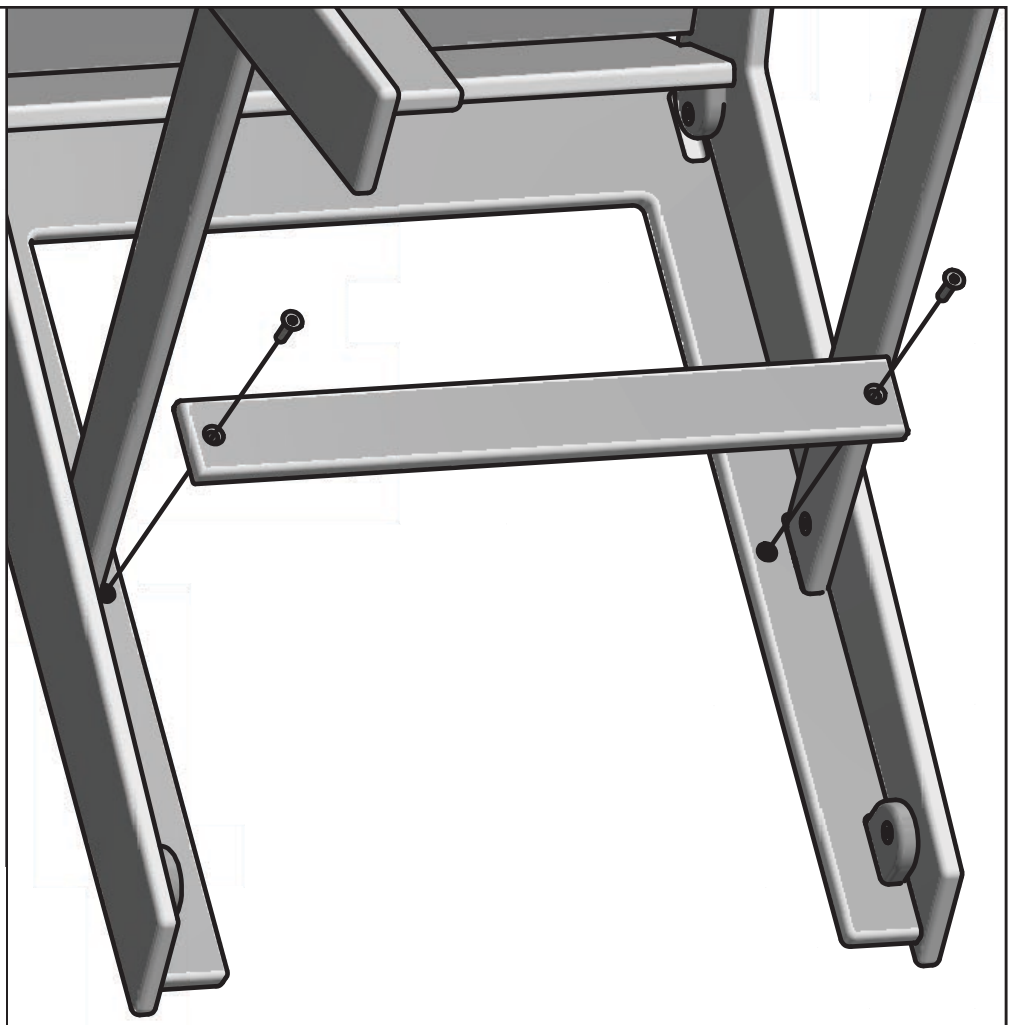


P12 1x

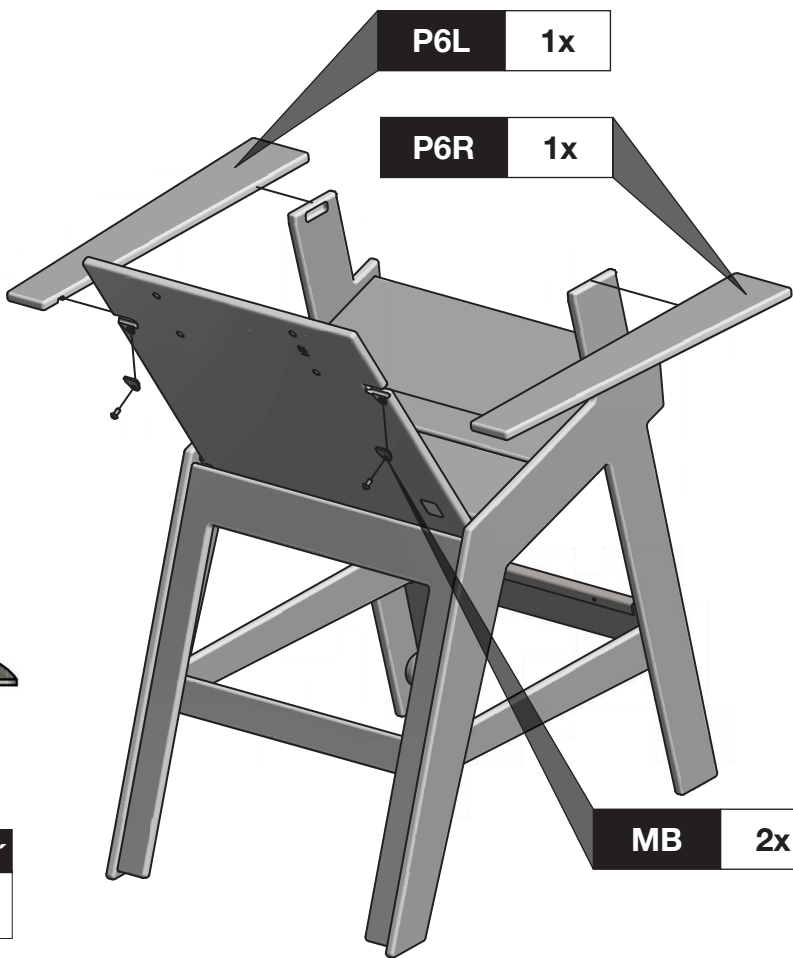


1"

2x



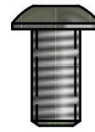
9



P6L 1x

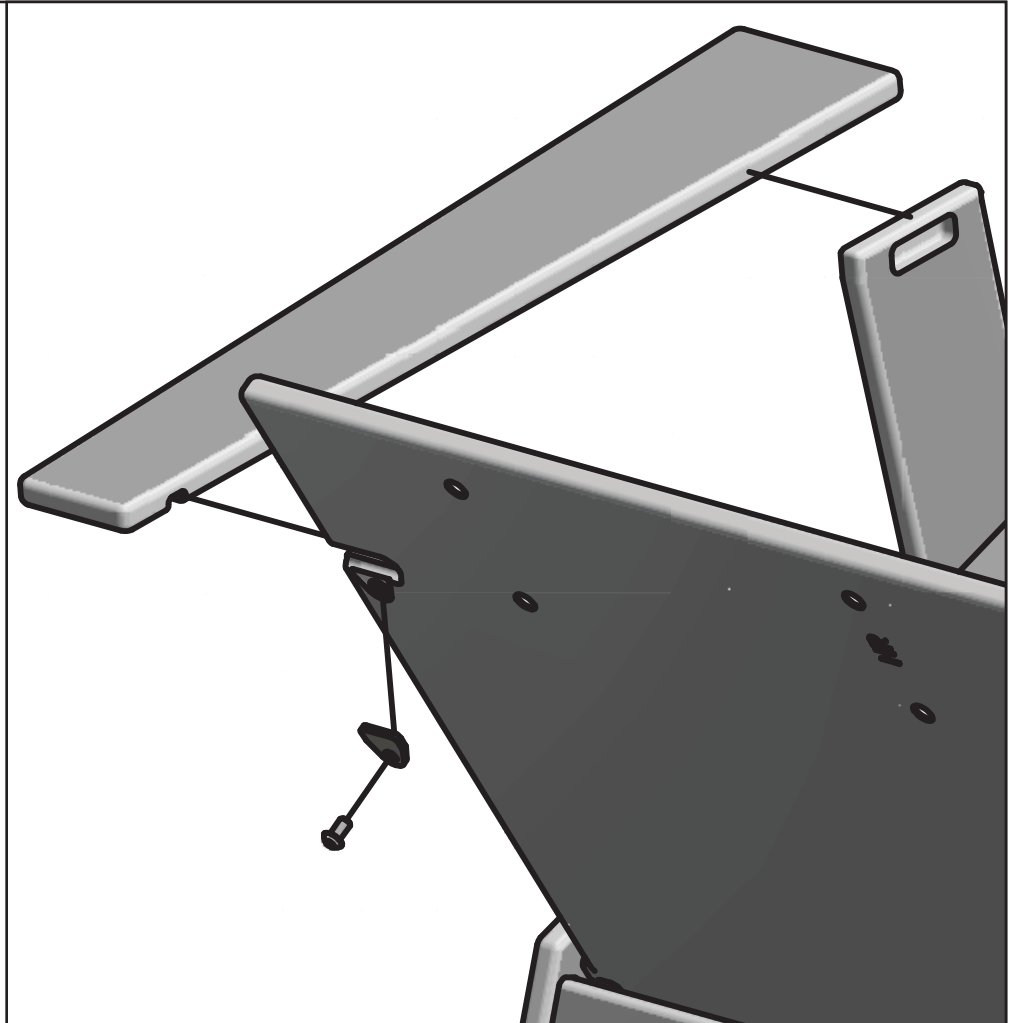
P6R 1x

MB 2x



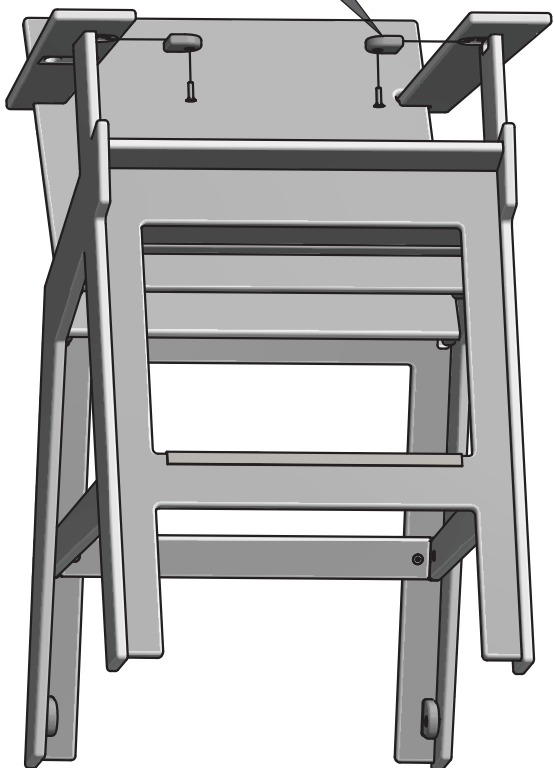
1/2"

2x



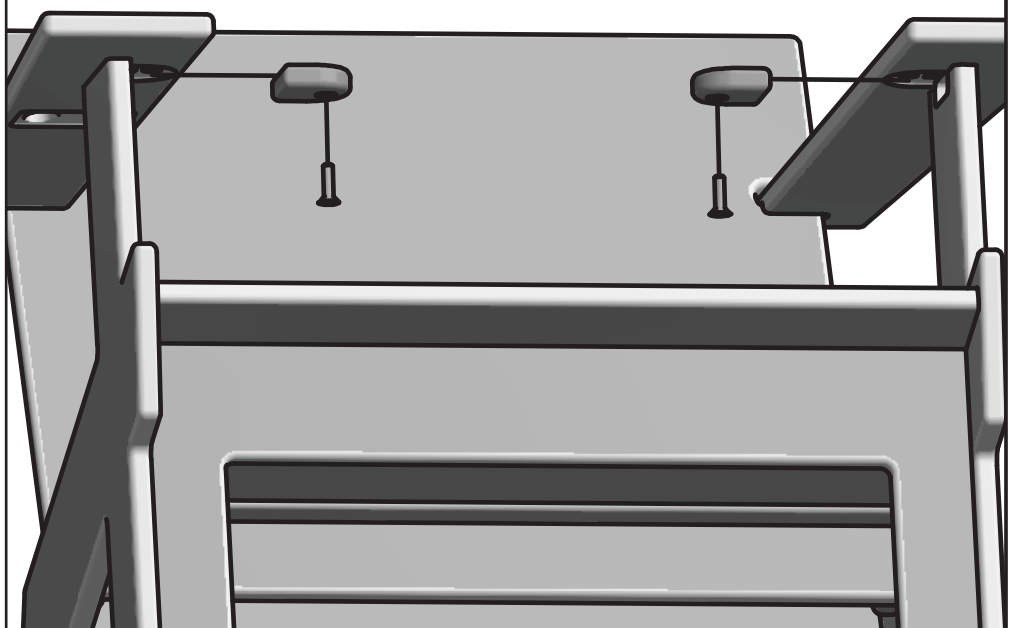
10

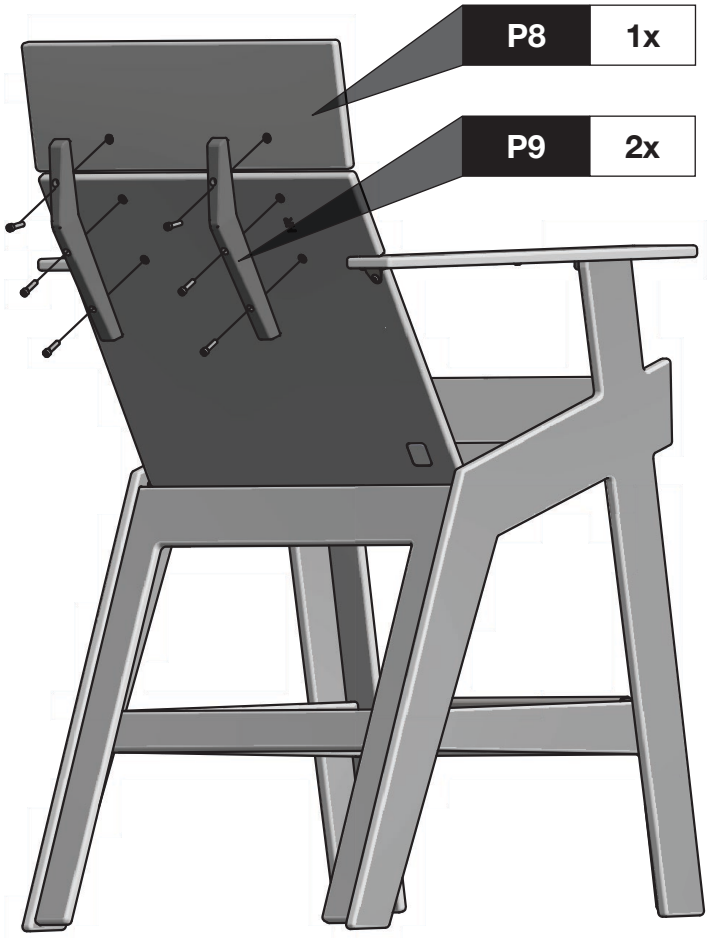
GB 2x



1"

2x





1"
6x

