



SHARE YOUR LOLL

lollidesigns.com
 877.740.3387

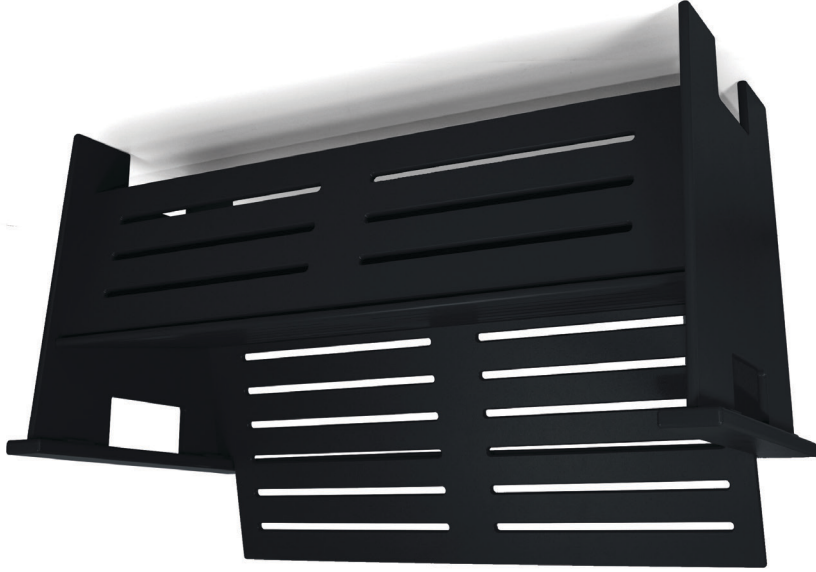


5 YR WARRANTY
 Loll Designs strives to build long-term relationships based on confidence and trust with our customers. We sit beside, on top, and beneath the quality of our fine furniture and will make things right if you are not completely satisfied with your purchase. Loll Designs hereby guarantees that the piece will be of good quality and workmanship, free from faults and defects. Loll warrants that all components will not fail, under normal use, for five years from the year mark on the piece or the date of purchase. *For commercial orders the warranty is three years.

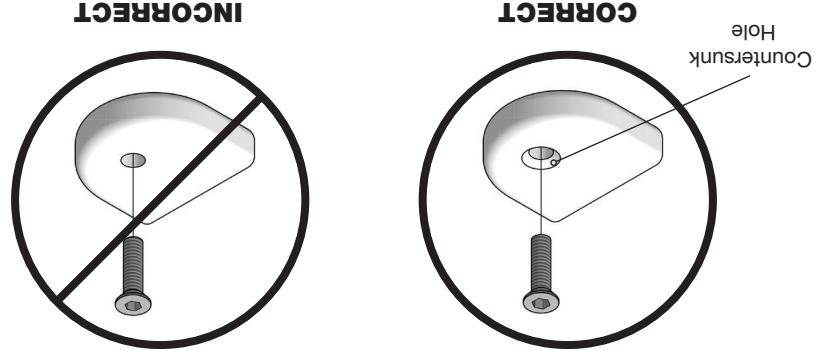
PRODUCT CARE
 Your new Loll furniture is a no maintenance product. You'll never need to paint or stain it and it can be left outside all year regardless of the season. It will not rot, even if left standing in water. Nonetheless, we're pretty sure your Loll furniture will get a lot of use and will at some point need cleaning. We recommend a garden hose and incorporating a soft bristle brush. Adding a tablespoon or two of your favorite eco-friendly soap to the wash will get everything squeaky clean. Mineral deposits left over from hard water can be removed with a solution of vinegar and water. Loll offers a cleaning kit that has everything you need for great results. Also see our cleaning video at lollidesigns.com/videos.

Loll Designs inspires people to appreciate the outdoors.

ASSEMBLY INSTRUCTIONS & PRODUCT INFO: GO LOVSEAT & ROCKER



LOLL TOOL
 Locate the box marked "Tool Included" before beginning assembly.



BLOCK & BOLT INSTALLATION
 Insert bolts through countersunk hole side of blocks as shown below.

ASSEMBLY TIPS
 *Please read before beginning assembly!
 To avoid damaging furniture perform the assembly of your Loll furniture on a clean soft surface like a blanket, carpet, or the flattened cardboard box the furniture was shipped in. Components should not be unnecessarily forced together! If it seems parts aren't fitting together you likely have something wrong and you should reread the instructions to ensure you are aligning the proper components. If your piece of furniture requires "Blocks" for assembly one side may have protective film on it. This surface is hidden after assembly so the film can remain on the block or it can be removed. Use a Cordless Screw Gun if you have one and know how to use it. Set the clutch setting at medium torque. We do not recommend using an electric drill with a cord and without a clutch to install bolts in inserts as you can easily overtighten and damage the product. All bolts come standard with a thread coating to reduce bolts loosening after assembly while still allowing removal and reuse of the bolt. Start all bolts by hand, with the Allen Key, or the Loll Tool and tighten firmly until parts are drawn tight together and you can't muscle the bolt any tighter. It's virtually impossible to over tighten by hand. Watch the assembly videos at www.lollidesigns.com/videos for even more information and visual aids. If you have more questions please contact your Loll Sales Associate or Customer Service for support at 877.740.3387. **A Pro Tool Kit!** can also be purchased from Loll for multi piece assembly jobs.

DAMAGED PRODUCT
 Sometimes accidents occur. Please inspect your Loll furniture when you receive it to make sure that it has not been damaged during shipping. If damage has occurred please take digital pictures of the damaged furniture and the box it was shipped in, and email them to sales@lollidesigns.com or call Customer Service using our toll free number: 877.740.3387, ext. 1. The damage will be assessed and you will be contacted with a solution to the problem. It may be helpful to save all of your packaging material in case a return is necessary.

Scan for assembly tips and videos



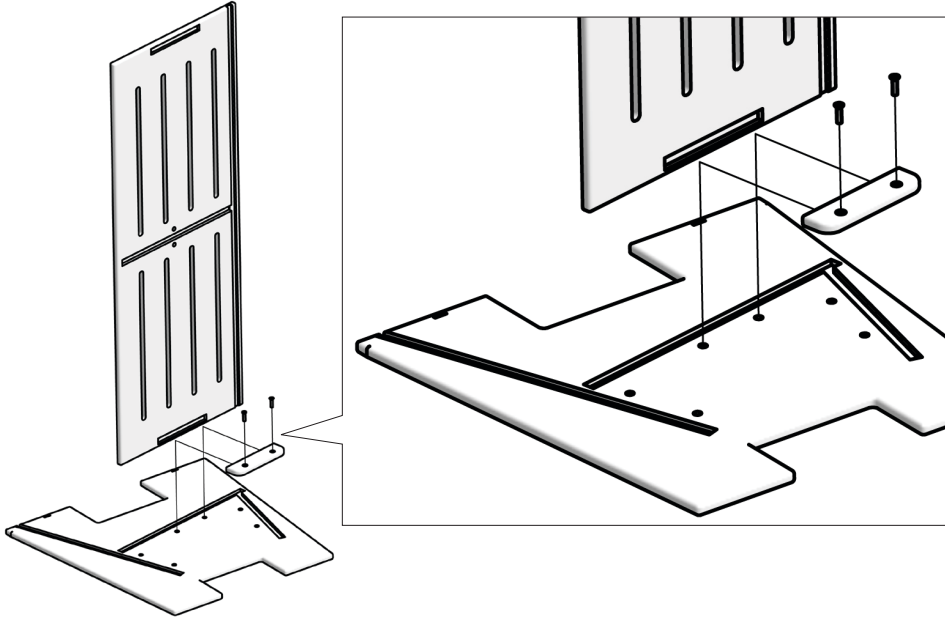
INCLUDED PARTS

SIDE	COUNT	BACK	COUNT	SEAT	COUNT	FACE	COUNT
	2		1		1		1
BACK BRACE	COUNT	ARM	COUNT	SEAT BRACE	COUNT	L BRACE	COUNT
	1		2		1		1
B BLOCK	COUNT	D BLOCK	COUNT	DOUBLE MICRO BLOCK	COUNT	1" FLAT HEAD BOLT	COUNT
	6		3		4		24
<p>Insert bolts through countersunk side</p>		<p>Insert bolts through countersunk side</p>					8
						1/2" ROUND HEAD BOLT	COUNT

ASSEMBLY INSTRUCTIONS

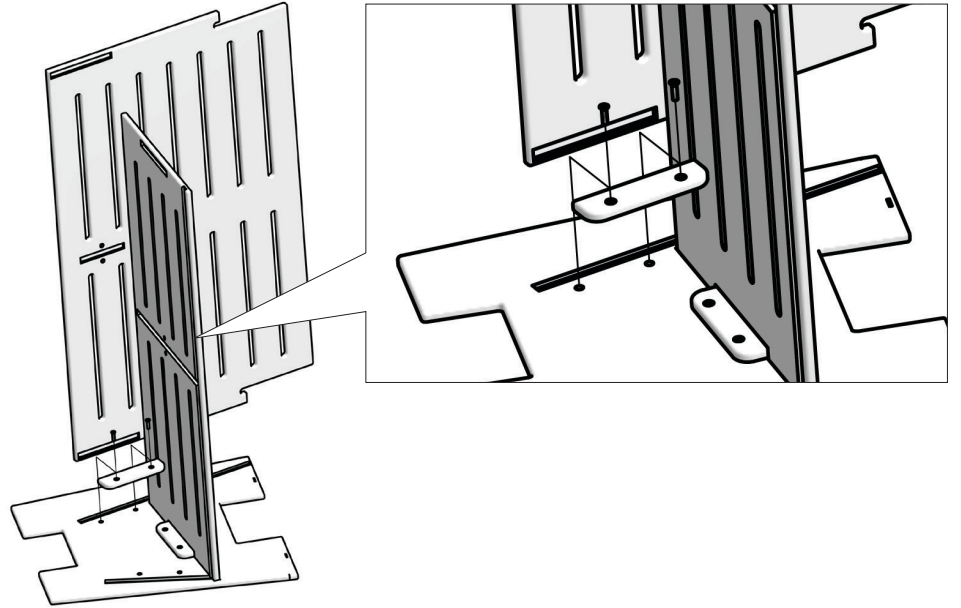
* It is very important that you finger tighten all bolts into inserts to ensure that you do not cross-thread bolts and inserts before tightening. It will also be easier if you wait to tighten bolts until you have all bolts installed and the piece completely assembled. This will allow for more movement of individual pieces and help in aligning holes with inserts. Use the Allen Tool provided to finish tighten bolt until snug.

1 ATTACH SIDE AND SEAT



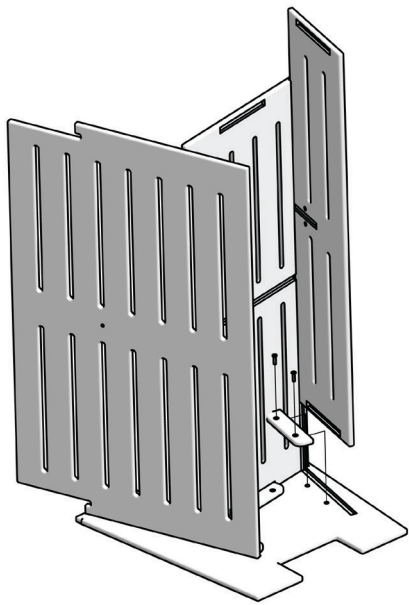
*Please read Assembly Tips before beginning assembly.
Fit Seat short edge into Left Side cut out with the cut outs in the Seat facing the threaded holes in the Left Side and the long groove track cut out toward front. Place a B Block into the Seats cut out and insert Flat Head Bolts through the block into Left Sides threaded holes and finger tighten.

2 ATTACH BACK



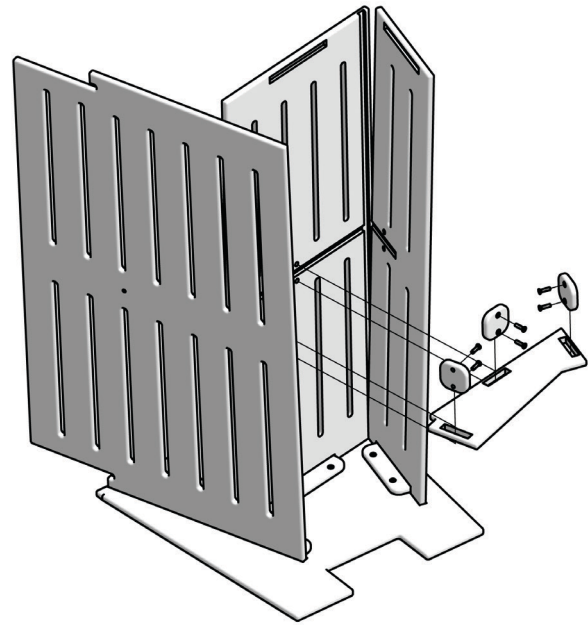
Fit edge of the Back into the Left Sides cut out. Place B Block in the Backs cut out, insert Flat Head Bolts through the blocks into the Left Sides threaded holes and finger tighten.

3 ATTACH FACE



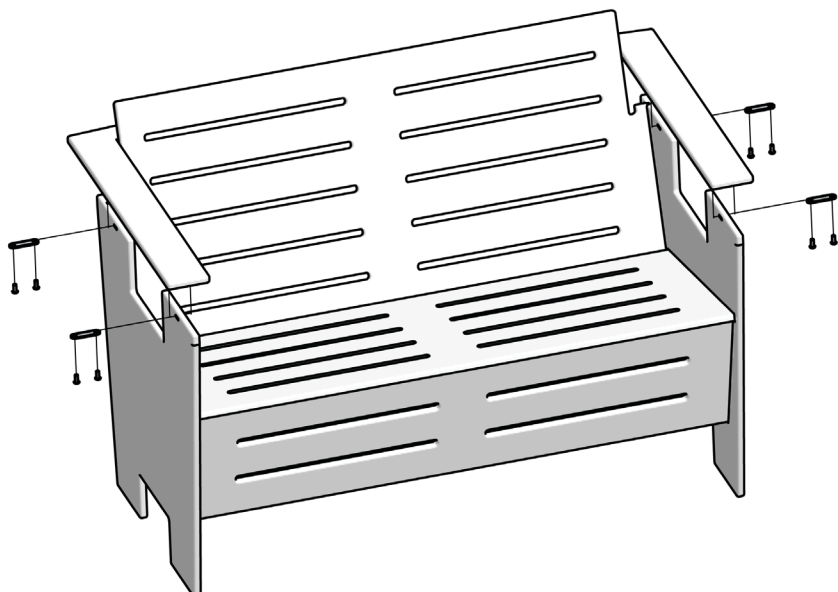
Fit Face short edge into Left Side and Seat cut outs with the cut outs in the Face facing the threaded holes in the Left Side and the middle cut out toward the middle cut out in the Seat. Place a B Block into the Faces cut out and insert Flat Head Bolts through the block into Left Sides threaded holes and finger tighten.

4 ATTACH SEAT BRACE



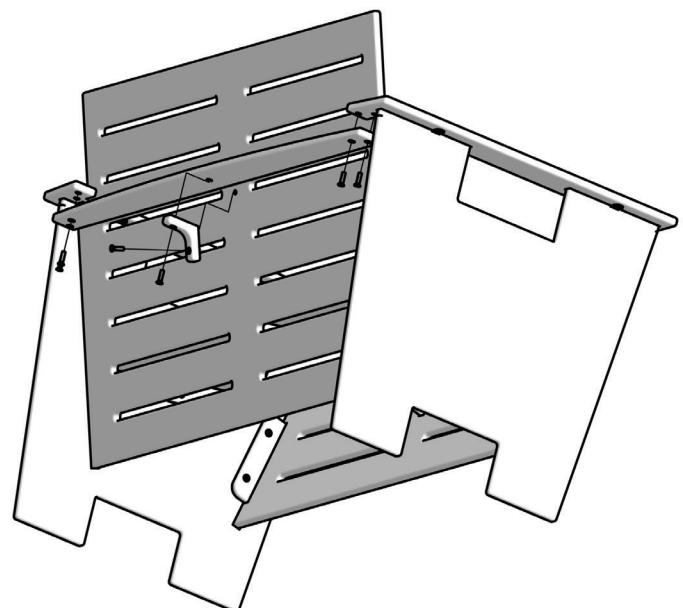
Slide D Blocks halfway through the Seat Brace cut outs so a hole is exposed on both sides. Fit Seat Brace with D Blocks into the Back, Seat and Faces cut outs. Insert Flat Head Bolts through the blocks into the threaded holes and finger tighten.
* Using Steps 1-3 attach the Right Side.

5 ATTACH ARMS



Slide Double Micro Blocks halfway through the Sides cut outs so a hole is exposed on both sides. Place Arm cut out with top edge of the Side and inserted blocks. Insert Round Head Bolts through the blocks into the threaded holes in the Arm and finger tighten.

6 ATTACH BACK BRACE



A. Fit Back Brace notched cut outs with notched cut outs in Arms. Insert Flat Head Bolts through the Back Brace into the threaded holes in the Arms and finger tighten.
B. Align holes in the Angle Block with center holes in Back and Back Brace. Insert Flat Head Bolts through the Angle Block into the threaded holes and finger tighten.

*Using provided wrench securely tighten all bolts.