



**charcoal:**  
NC-PS-(cushion code)-CG



**black:**  
NC-LS-(cushion code)-BL



**cloud:**  
NC-LS-(cushion code)-CW



**leaf:**  
NC-LS-(cushion code)-LG



**apple red:**  
NC-LS-(cushion code)-AR



**driftwood:**  
NC-LS-(cushion code)-DW



**navy blue:**  
NC-LS-(cushion code)-NB

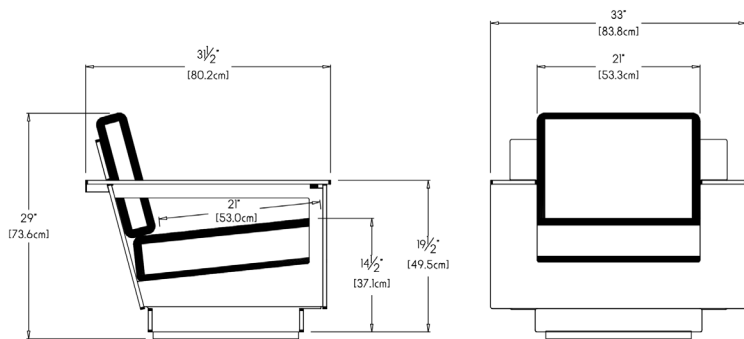
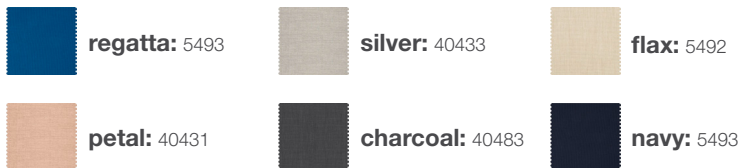


**sky:**  
NC-LS-(cushion code)-SB



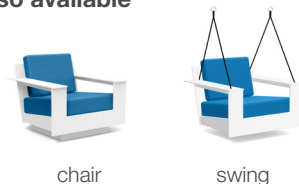
**sunset:**  
NC-LS-(cushion code)-OR

**cushion codes:**



**collection:** nisswa  
**material:** High Density Poly Ethylene (HDPE) and Sunbrella Fabric  
**dimensions:** width: 33" (83.8cm)  
depth: 31.5" (80.2cm)  
height: 29" (73.4cm)  
**weight:** 67 lbs (30.3kg)

**also available**



chair

swing

**shipping:** Pallet



ships fully assembled