



Base, legs and arms of the HD Adirondacks use 1" plastic to create an extremely sturdy chair that is intended for very heavy use application (like parks) and for environments where the chairs need to be permanently mounted with the Loll integrated "L" bracket security mounts.

charcoal: AD-HD4ST-CG



black: AD-HD4ST-BL



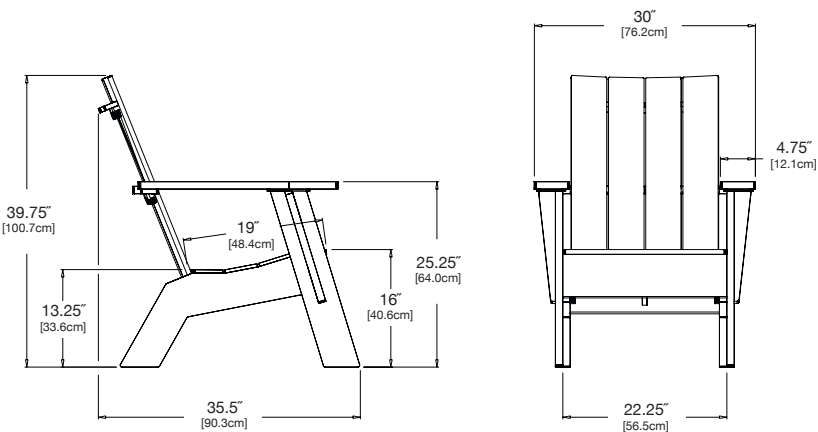
cloud: AD-HD4ST-CW



leaf: AD-HD4ST-LG



apple red: AD-HD4ST-AR



driftwood: AD-HD4ST-DW



navy blue: AD-HD4ST-NB



sky: AD-HD4ST-SB



sunset: AD-HD4ST-OR

collection: adirondack

material: HDPE

dimensions: width: 30" (76.2cm)
depth: 35.5" (90.3cm)
height: 38.75" (100.7cm)

weight: 60 lbs (27.2kg)

pairs well with 4 slat ottoman.



shipping dimensions: 36" x 24" x 12"
shipping weight: 69 lbs (31.3kg)



shipped knocked down
some assembly required