

charcoal: PB-PB-CG



black: PB-PB-BL



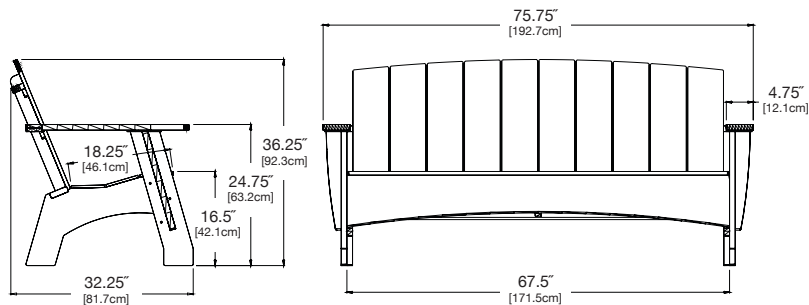
cloud: PB-PB-CW



leaf: PB-PB-LG



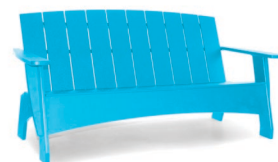
apple red: PB-PB-AR



driftwood: PB-PB-DW



navy blue: PB-PB-NB



sky: PB-PB-SB



sunset: PB-PB-OR

collection: HD

material: HDPE

dimensions: width: 75.75" (192.7cm)
depth: 32.25" (81.7cm)
height: 36.25" (92.3cm)

weight: 150 lbs (68.0kg)

pairs well with park chair.



shipping dimensions: pallet
shipping weight: 153 lbs (69.4kg)



shipped fully assembled
no assembly required