



charcoal: LC-TLS-CG



black: LC-TLS-BL



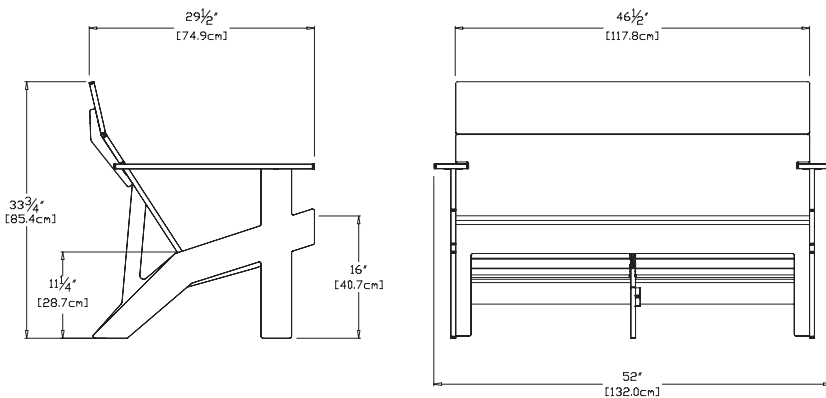
cloud: LC-TLS-CW



leaf: LC-TLS-LG



apple red: LC-TLS-AR



driftwood: LC-TLS-DW



navy blue: LC-TLS-NB



sky: LC-TLS-SB



sunset: LC-TLS-OR

collection: lollygagger

material: 100% recycled HDPE

dimensions: width: 52" (132.0cm)
depth: 29.5" (74.9cm)
height: 33.75" (85.4cm)

weight: 79 lbs (35.8kg)



632
reclaimed
milk jugs



flat pack shipped
some assembly required

shipping dimensions: 24" x 4" x 48"
shipping weight: 88 lbs (39.9kg)

